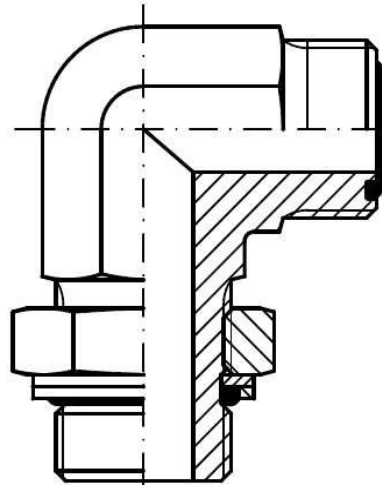
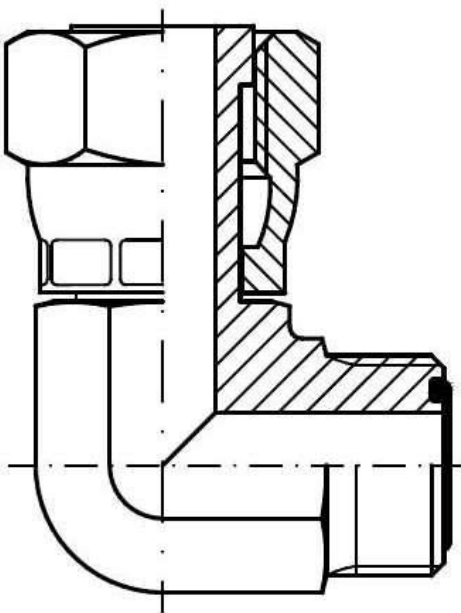
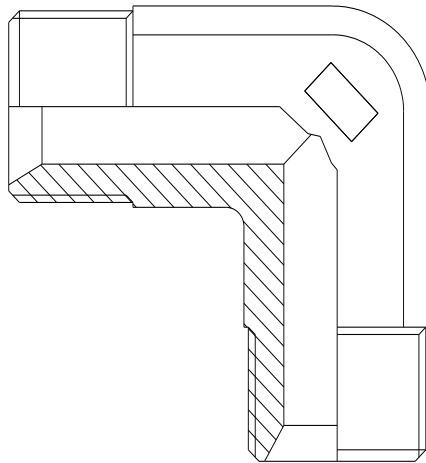
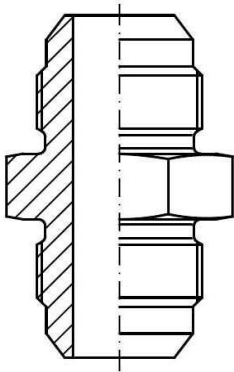
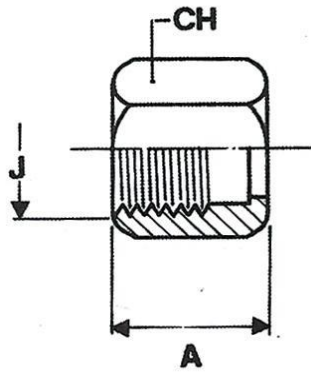


OLE **oim** .DINAMICA SRL

C
A
T
A
L
O
G
O
A
D
A
T
T
A
T
O
R
I



DADO LIBERO UNF
CODICE
J
A
CH

DL04FI

7/16-20

15,5

14

DL05FI

1/2-20

17

16

DL06FI

9/16-18

18,5

19

DL08FI

3/4-16

21,5

22

DL10FI

7/8-14

24,5

27

DL12FI

1"1/16-12

26

32

DL16FI

1"5/16-12

28,5

38

DL20FI

1"5/8-12

31

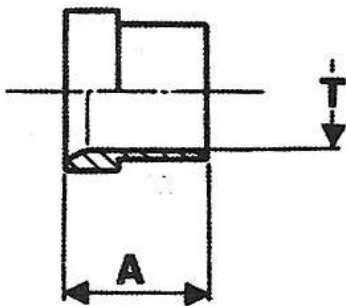
50

DL24FI

1"7/18-12

36

57

BUSSOLA METRICA
BUSSOLA METRICA
CODICE
A
T

AR6

10,5

6

AR8

11,5

8

AR10

12,5

10

AR12

14,5

12

AR14

16,5

14

AR15

16,5

15

AR16

16,5

16

AR18

17

18

AR20

17

20

AR22

22

AR25

19,5

25

AR30

23

30

AR32

23

32

AR38

28,5

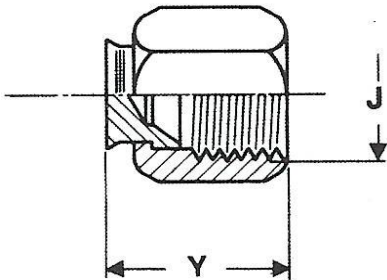
38

TAPPO FEMMINA JIC

CODICE

J

Y



30TFI04
30TFI05
30TFI06
30TFI08
30TFI10
30TFI12
30TFI16
30TFI20
30TFI24

7/16-20
1/2-20
9/16-18
3/4-16
7/8-14
1"1/16-12
1"5/16-12
1"5/8-12
1"7/8-12

18
20
22
24
27
30
31,5
33
39

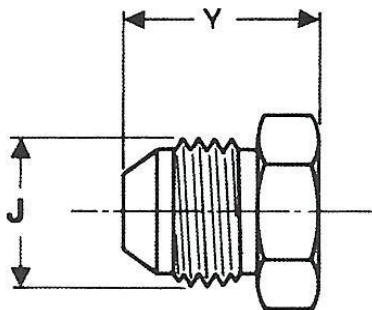
TAPPO MASCHIO JIC

TAPPO MASCHIO JIC

CODICE

J

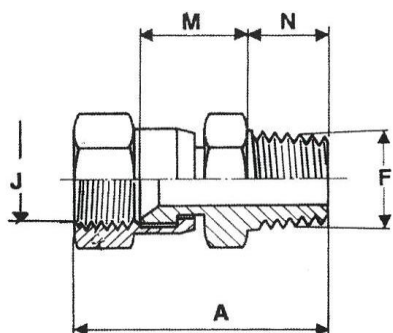
Y



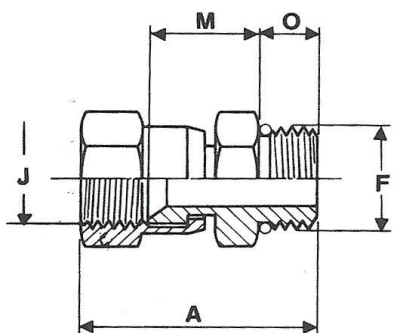
30TMI04
30TMI05
30TMI06
30TMI08
30TMI10
30TMI12
30TMI16
30TMI20
30TMI24

7/16-20
1/2-20
9/16-18
3/4-16
7/8-14
1"1/16-12
1"5/16-12
1"5/8-12
1"7/8-12

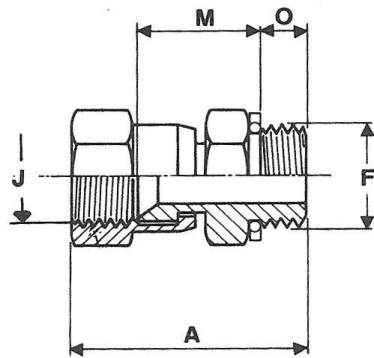
20,5
20,5
21,5
24,5
28
32,5
34
37
42

**RACCORDO DIRITTO
DADO GIR. JIC CON
FIL.TERMINALE
MASCHIO GAS CON.**


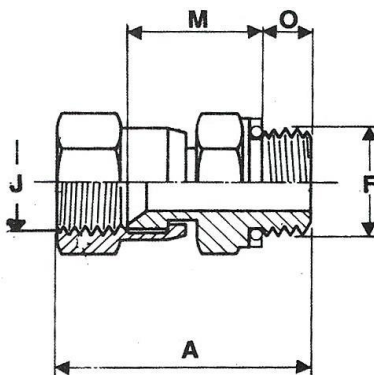
CODICE	J	F GAS CON.	A	M	N
32FI04MGC04	7/16-20	1/4"	38,5	15,5	14
32FI05MGC04	1/2-20	1/4"	39,5	15,5	14
32FI06MGC04	9/16-18	1/4"	40	16,5	14
32FI08MGC04	3/4-16	1/4"	43	17,8	14
32FI08MGC06	3/4-16	3/8"	43	17,8	14
32FI10MGC08	7/8-14	1/2"	51	19,5	19
32FI12MGC08	1"1/16-12	1/2"	54,5	21	19
32FI12MGC12	1"1/16-12	3/4"	54,5	21	19
32FI16MGC12	1"5/16-12	3/4"	59	24	19
32FI16MGC16	1"5/16-12	1"	64	24	24
32FI20MGC20	1"5/8-12	1"1/4"	69	28	24,5

RAC. DIRIT. DADO GIR. JIC CON FIL.TERM. MASCHIO UNF-2A
**RACCORDO DIRITTO
DADO GIR. JIC CON
FIL.TERMINALE
MASCHIO UNF-2A**


CODICE	J	F UNF-2A	A	M	O
32FI04MS04	7/16-20	7/16-20	34	14,5	9
32FI05MS05	1/2-20	1/2-20	35,5	16,5	9
32FI06MS06	9/16-18	9/16-18	38	18,5	10
32FI08MS08	3/4-16	3/4-16	42,5	20,5	11
32FI10MS10	7/8-14	7/8-14	48	22,5	12,5
32FI12MS12	1"1/16-12	1"1/16-12	53,5	24,5	15
32FI16MS16	1"5/16-12	1"5/16-12	57	27,5	15
32FI20MS20	"5/8-12	1"5/8-12	63,5	32	15
32FI24MS24	1"7/8-12	1"7/8-12	70	38	15

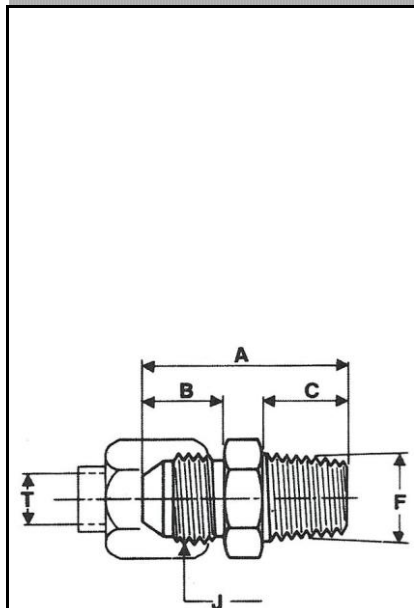
**RACCORDO DIRITTO
DADO GIR. JIC CON
FIL. TERMINALE
MASCHIO GAS CIL.**

CODICE	J	F GAS CIL.	A	M	O
32FI04MGSP02	7/16-20	1/8"	32	16,5	6,5
32FI05MGSP04	1/2-20	1/4"	36,5	17	9,5
32FI06MGSP04	9/16-18	1/4"	37	18	9,5
32FI06MGSP06	9/16-18	3/8"	38	19	9,5
32FI08MGSP06	3/4-16	3/8"	41	20,5	9,5
32FI10MGSP06	7/8-14	3/8"	34	22	12
32FI08MGSP08	3/4-16	1/2"	36	22	14
32FI10MGSP08	7/8-14	1/2"	48	23	13
32FI14MGSP08	1"1/16-12	1/2"	38	24	14
32FI14MGSP12	1"1/16-12	3/4"	51,5	24	13
32FI16MGSP12	1"5/16-12	3/4"	44	28	16
32FI16MGSP16	1"5/16-12	1"	59,5	28	16
32FI20MGSP20	1"5/8-12	1"1/4	64,5	32,5	16
32FI24MGSP24	1"7/8-12	1"1/2	70	35	16

RAC. DIR. DADO GIR. JIC CON FIL. TERM. METRICO CIL.**RACCORDO DIRITTO
DADO GIR. JIC CON
FIL. TERMINALE
METRICO CIL.**

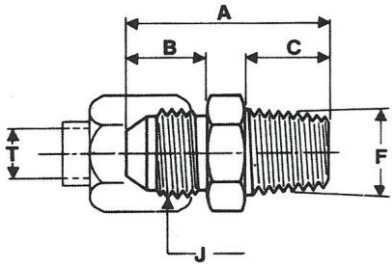
CODICE	J	F METR. CIL.	A	M	O
32FI04MW10C	7/16-20	M 10X1	33,5	18,5	8
32FI05MW12A	1/2-20	M 12X1,5	35,5	20,5	8
32FI06MW14A	9/16-18	M 14X1,5	36,5	20,5	8
32FI08MW16A	3/4-16	M 16X1,5	41,5	22,5	10
32FI10MW22A	7/8-14	M 22X1,5	48,5	24,5	12
32FI12MW27B	1"1/16-12	M 27X2	53,5	25,5	14
32FI16MW33B	1"5/16-12	M 32X2	57,5	30,5	15,5
32FI20MW42B	1"5/8-12	M 42X2	63,5	32,5	17
32FI24MW50B	1"7/8-12	M 50X2	71	35	19,5

**RACCORDO DIRITTO
CON FILETTATURA
TERMINALE
MASCHIO JIC - NPTF**



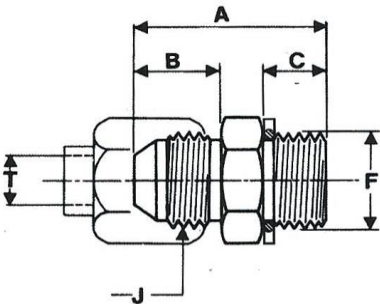
CODICE	J	F NPTF	A	B	C
32MI04NPT02	7/16-20	1/8"	31	14	10
32MI04NPT04	7/16-20	1/4"	35,5	14	14,5
32MI05NPT02	1/2-20	1/8"	31	14	10
32MI05NPT04	1/2-20	1/4"	35,5	14	14,5
32MI06NPT02	9/16-18	1/8"	31,5	14	10
32MI06NPT04	9/16-18	1/4"	36	14	14,5
32MI06NPT06	9/16-18	3/8"	36	14	14,5
32MI06NPT08	9/16-18	1/2"	42,5	14	19
32MI08NPT04	3/4-16	1/4"	39	17	14,5
32MI08NPT06	3/4-16	3/8"	39	17	14,5
32MI08NPT08	3/4-16	1/2"	45,5	17	19
32MI08NPT12	3/4-16	3/4"	47,5	17	19
32MI10NPT06	7/8-14	3/8"	43,5	19,5	14,5
32MI10NPT08	7/8-14	1/2"	48	19,5	19
32MI10NPT12	7/8-14	3/4"	50	19,5	19
32MI12NPT08	1"1/16-12	1/2"	52,5	22	19
32MI12NPT12	1"1/16-12	3/4"	52,5	22	19
32MI12NPT16	1"1/16-12	1"	57	22	24
32MI16NPT12	1"5/16-12	3/4"	53,5	23	19
32MI16NPT16	1"5/16-12	1"	58,5	23	24
32MI16NPT20	1"5/16-12	1"1/4"	61,5	23	24,5
32MI20NPT16	1"5/8-12	1"	61,5	24,5	24
32MI20NPT20	1"5/8-12	1"1/4"	62	24,5	24,5
32MI24NPT20	1"7/8-12	1"1/4"	67	27,5	24,5
32MI24NPT24	1"7/8-12	1"1/2"	68	27,5	25,5

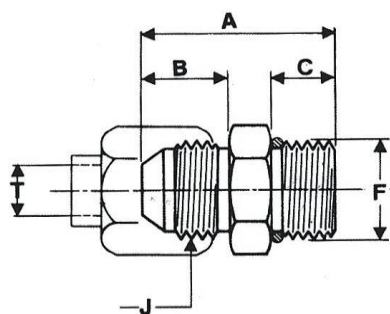
**RACCORDO DIRITTO
CON FIL.TERMINALE
MASCHIO JIC - GAS
CONICO**

	CODICE					
		J	F GAS CON.	A	B	C
	32MI04MGC02	7/16-20	1/8"	31	14	8
	32MI04MGC04	7/16-20	1/4"	35,5	14	12
	32MI05MGC02	1/2-20	1/8"	31	14	8
	32MI05MGC04	1/2-20	1/4"	35,5	14	12
	32MI06MGC04	9/16-18	1/4"	36	14	12
	32MI06MGC06	9/16-18	3/8"	36	14	12
	32MI06MGC08	9/16-18	1/2"	42,5	14	14
	32MI08MGC04	3/4-16	1/4"	38	17	12
	32MI08MGC06	3/4-16	3/8"	38	17	12
	32MI08MGC08	3/4-16	1/2"	43,5	17	14
	32MI08MGC12	3/4-16	3/4"	47,5	17	19
	32MI10MGC06	7/8-14	3/8"	43,5	19,5	12
	32MI10MGC08	7/8-14	1/2"	48	19,5	14
	32MI10MGC12	7/8-14	3/4"	50	19,5	16
	32MI10MGC06	7/8-14	3/8"	41	19,5	12
	32MI10MGC08	7/8-14	1/2"	43	19,5	14
	32MI10MGC12	7/8-14	3/4"	47	19,5	16
	32MI12MGC08	1"1/16-12	1/2"	52,5	22	14
	32MI12MGC12	1"1/16-12	3/4"	52,5	22	16
	32MI12MGC16	1"1/16-12	1"	51,5	22	18
	32MI12MGC16	1"1/16-12	1"	57	22	18
	32MI16MGC12	1"5/16-12	3/4"	53,5	23	16
	32MI16MGC16	1"5/16-12	1"	58,5	23	18
	32MI20MGC16	1"5/8-12	1"	61,5	24,5	18
	32MI20MGC20	1"5/8-12	1"1/4	62	24,5	20
32MI24MGC20	1"7/8-12	1"1/4	68	27,5	24,5	
32MI24MGC20	1"7/8-12	1"1/2	68	27,5	20	

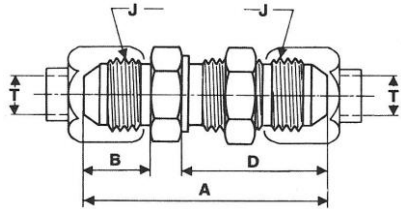
**RACC. DIRITTO CON
FIL.TERM. MASCHIO
JIC - UNF-2A**

CODICE	J	F UNF - 2A	A	B	C
32MI04MS04	7/16-20	7/16-20	31	14	9,5
32MI04MS05	7/16-20	1/2-20	31	14	9,5
32MI04MS06	7/16-20	9/16-18	33	14	10
32MI05MS05	1/2-20	1/2-20	31	14	9,5
32MI06MS06	9/16-18	9/16-18	33	14	10
32MI06MS08	9/16-18	3/4-16	34,5	14	11,5
32MI08MS08	3/4-16	3/4-16	37,5	17	11,5
32MI08MS10	3/4-16	7/8-14	40,5	17	13
32MI08MS12	3/4-16	1"1/16-12	45	17	15,5
32MI10MS08	7/8-14	3/4-16	40,5	19,5	11,5
32MI10MS10	7/8-14	7/8-14	43	19,5	13
32MI10MS12	7/8-14	1"1/16-12	47,5	19,5	15,5
32MI12MS08	1"1/16-12	3/4-16	45	22	11,5
32MI12MS10	1"1/16-12	7/8-14	46,5	22	13
32MI12MS12	1"1/16-12	1"1/16-12	50	22	15,5
32MI12MS16	1"1/16-12	1"5/16-12	51	22	15,5
32MI16MS12	1"5/16-12	1"1/16-12	51	23	15,5
32MI16MS16	1"5/16-12	1"5/16-12	52	23	15,5
32MI16MS20	1"5/16-12	1"5/8-12	53,5	23	15,5
32MI20MS20	1"5/8-12	1"5/8-12	55	24,5	15,5
32MI24MS24	1"7/8-12	1"7/8-12	60	27,5	15,5



**RACC. DIRITTO CON
FIL.TERM. MASCHIO
JIC - GAS CILINDRICO
SEDE PIANA**


CODICE	J	F GAS CIL.	A	B	C
32MI04MGSP02	7/16-20	1/8"	29	14	7
32MI04MGSP04	7/16-20	1/4"	34,5	14	10
32MI04MGSP06	7/16-20	3/8"	34,5	14	10
32MI04MGSP08	7/16-20	1/2"	38	14	12
32MI05MGSP04	1/2-20	1/4"	34,5	14	10
32MI05MGSP06	1/2-20	3/8"	34,5	14	10
32MI06MGSP04	9/16-18	1/4"	34,5	14	10
32MI06MGSP06	9/16-18	3/8"	34,5	14	10
32MI06MGSP08	9/16-18	1/2"	38	14	12
32MI08MGSP04	3/4-16	1/4"	37,5	17	10
32MI08MGSP06	3/4-16	3/8"	37,5	17	10
32MI08MGSP08	3/4-16	1/2"	41	17	12
32MI08MGSP12	3/4-16	3/4"	45	17	14
32MI10MGSP06	7/8-14	3/8"	40,5	19,5	10
32MI10MGSP08	7/8-14	1/2"	43,5	19,5	12
32MI10MGSP06	7/8-14	3/8"	40,5	19,5	10
32MI10MGSP08	7/8-14	1/2"	43,5	19,5	12
32MI12MGSP08	1"1/16-12	1/2"	47	22	12
32MI12MGSP12	1"1/16-12	3/4"	50	22	14
32MI12MGSP16	1"1/16-12	1"	52,5	22	15,5
32MI16MGSP12	1"5/16-12	3/4"	51	23	14
32MI16MGSP16	1"5/16-12	1"	53,5	23	15,5
32MI16MGSP20	1"5/16-12	1"1/4	57	23	17,5
32MI20MGSP20	1"5/8-12	1"1/4	58,5	24,5	17,5
32MI24MGSP20	1"7/8-12	1"1/4	61,5	27,5	17,5
32MI24MGSP24	1"7/8-12	1"1/2	65,5	27,5	19,5

**RACCORDO
INTERMEDIO DIRITTO
PASSAPARETE JIC**
CODICE
J
A
B
D

32PMI04

7/16-20

52,5

14

30,5

32PMI05

1/2-20

52,5

14

30,5

32PMI06

9/16-18

55,5

14

32,5

32PMI08

3/4-16

62

17

36,5

32PMI10

7/8-14

69,5

19,5

40

32PMI12

1"1/16-12

78,5

22

44,5

32PMI16

1"5/16-12

80

23

44,5

32PMI20

1"5/8-12

84

24,5

45,7

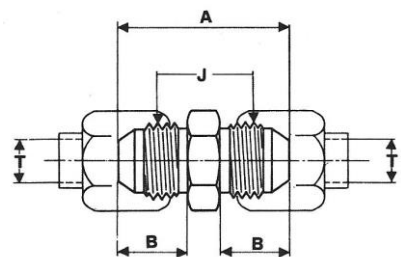
32PMI24

1"7/8-12

89,5

27,5

46

NIPPLO MASCHIO JIC
NIPPLO MASCHIO JIC
CODICE
J
A
B

32MI04

7/16-20

34,5

14

32MI05

1/2-20

34,5

14

32MI06

9/16-18

35,5

14

32MI08

3/4-16

41

17

32MI10

7/8-14

47,5

19,5

32MI12

1"1/16-12

55

22

32MI16

1"5/16-12

57

23

32MI20

1"5/8-12

61,5

24,5

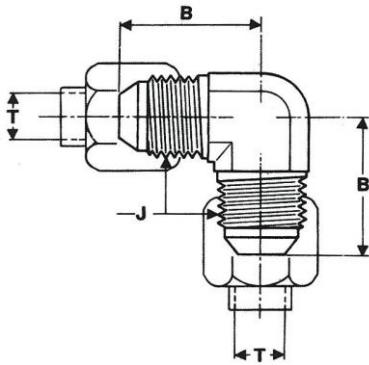
32MI24

1"7/8-12

69,5

27,5

**RACCORDO JIC
INTERMEDIO A 90°**



CODICE

J

B

39MI04

7/16-20

22,5

39MI05

1/2-20

24

39MI06

9/16-18

27

39MI08

3/4-16

31,5

39MI10

7/8-14

36,5

39MI12

1"1/16-12

42

39MI16

1"5/16-12

46

39MI20

1"5/8-12

52

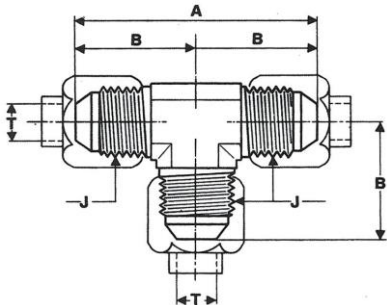
39MI24

1"7/8-12

59

RACCORDO JIC INTERMEDIO A T

**RACCORDO JIC
INTERMEDIO A T**



CODICE

J

A

B

33MI04

7/16-20

45

22,5

33MI05

1/2-20

48

24

33MI06

9/16-18

54

27

33MI08

3/4-16

63

31,5

33MI10

7/8-14

73

36,5

33MI12

1"1/16-12

84

42

33MI16

1"5/16-12

92

46

33MI20

1"5/8-12

104

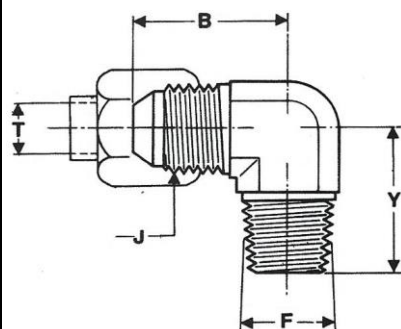
52

33MI24

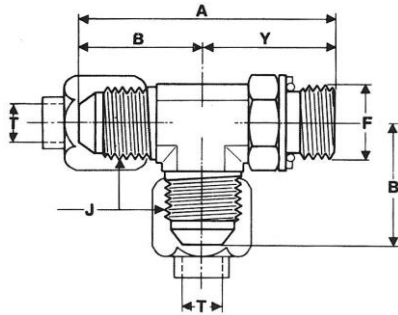
1"7/8-12

118

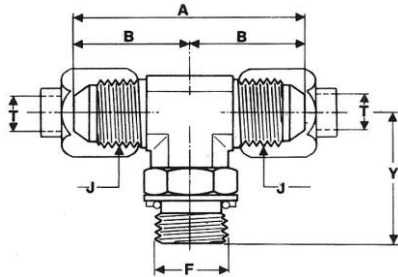
59

**RACC. DI ESTREMITA'
A 90° JIC - CON FIL.
TERM. GAS CONICO**

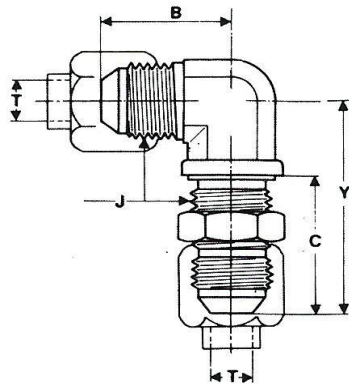
CODICE	J	F GAS CONICO	B	Y	
39MI04MGC02	7/16-20	1/8"	22,5	19,5	
39MI04MGC04	7/16-20	1/4"	27	27,5	
39MI05MGC02	1/2-20	1/8"	24	19,5	
39MI05MGC04	1/2-20	1/4"	27	27,5	
39MI06MGC04	9/16-18	1/4"	27	27,5	
39MI06MGC06	9/16-18	3/8"	28,5	31	
39MI06MGC08	9/16-18	1/2"	31	37	
39MI08MGC04	3/4-16	1/4"	31,5	31	
39MI08MGC06	3/4-16	3/8"	31,5	31	
39MI08MGC08	3/4-16	1/2"	34	37	
39MI08MGC12	3/4-16	3/4"	36,5	40,5	
39MI10MGC06	7/8-14	3/8"	36,5	32	
39MI10MGC08	7/8-14	1/2"	36,5	37	
39MI10MGC12	7/8-14	3/4"	39,5	40,5	
39MI12MGC08	1"1/16-12	1/2"	42	40,5	
39MI12MGC12	1"1/16-12	3/4"	42	40,5	
39MI16MGC12	1"5/16-12	3/4"	46	45	
39MI16MGC16	1"5/16-12	1"	46	50	
39MI20MGC16	1"5/8-12	1"	52	59	
39MI20MGC20	1"5/8-12	1"1/4	52	60	
39MI24MGC24	1"7/8-12	1"1/2	59	67	

**RACCORDO DI
ESTREMITA' A T JIC -
ORIENT. LAT. CON
FIL. TERM. GAS CIL.**


CODICE	J	F GAS CIL.	A	B	Y
33RLMI04MG02	7/16-20	1/8	48,5	22,5	26
33RLMI04MG04	7/16-20	1/4	58,5	27	31,5
33RLMI05MG04	1/2-20	1/4	58,5	27	31,5
33RLMI06MG04	9/16-18	1/4	58,5	27	31,5
33RLMI08MG06	3/4-16	3/8	68	31,5	36,5
33RLMI08MG08	3/4	1/2	77	34	43
33RLMI10MG08	7/8-14	1/2	79,5	36,5	43
33RLMI10MG08	7/8-14	1/2	79,5	36,5	43
33RLMI12MG12	1"1/16-12	3/4	91	42	49
33RLMI12MG08	1"1/16-12	1/2	91	42	49
33RLMI16MG16	1"5/16-12	1"	98	46	52
33RLMI20MG16	1"5/8-12	1"	109	52	57
33RLMI20MG20	1"5/8-12	1"1/4	102	59	43
33RLMI24MG24	1"7/8-12	1"1/2	120	59	61

RAC. DI ESTR. A T JIC - OR. CENT. CON FIL. TERM. GAS CIL.
**RACCORDO DI
ESTREMITA' A T
ORIENT. CENT. CON
FIL. TERM. GAS CIL.**


CODICE	J	F GAS CIL.	A	B	Y
33RCMI04MG02	7/16-20	1/8	45	22	26
33RCMI04MG04	7/16-20	1/4	54	27	31,5
33RCMI05MG04	1/2-20	1/4	54	27	31,5
33RCMI06MG04	9/16-18	1/4	54	27	31,5
33RCMI08MG06	3/4-16	3/8	63	31,5	36,5
33RCMI08MG08	3/4	1/2	68	34	43
33RCMI10MG08	7/8-14	1/2	73,5	36,5	43
33RCMI12MG12	1"1/16-12	3/4	84	42	49
33RCMI16MG16	1"5/16-12	1"	92	46	52
33RCMI20MG16	1"5/8-12	1"	104	52	57
33RCMI20MG20	1"5/8-12	1"1/4	104	52	57
33RCMI24MG24	1"7/8-12	1"1/2	118	59	61

**RACCORDO
INTERMEDIO A 90°
JIC - PASSAPARETE**

CODICE
J
B
Y
C
39PMI04

7/16-20

24,5

40,5

28,5

39PMI05

1/2-20

26

41

28,5

39PMI06

9/16-18

27,5

46

30

39PMI08

3/4-16

34,5

53,5

35

39PMI10

7/8-14

39,5

60,5

38,5

39PMI12

1"1/16-12

45

68

42,5

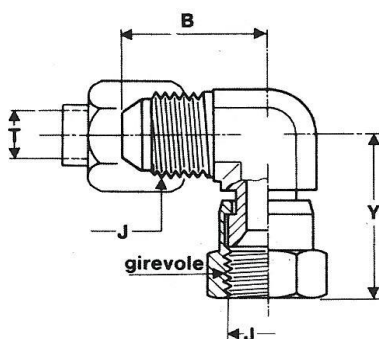
39PMI16

1"5/16-12

49

71

42,5

RACCORDO INTERMEDIO A 90° CON DADO GIREVOLE JIC
**RACCORDO
INTERMEDIO A 90°
CON DADO
GIREVOLE JIC**

CODICE
J
B
Y
39MIF104

7/16-20

22,5

26

39MIF105

1/2-20

24

28,5

39MIF106

9/16-18

27

30

39MIF108

3/4-16

31,5

35,5

39MIF110

7/8-14

36,5

42

39MIF112

1"1/16-12

42

44,5

39MIF116

1"5/16-12

46

50

39MIF120

1"5/8-12

52,5

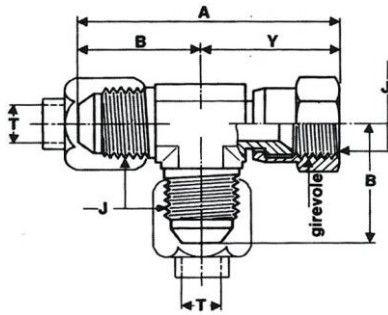
59

39MIF124

1"7/8-12

59

65,5

**RACCORDO A T CON
DADO GIREVOLE
LATERALE JIC**
CODICE
J
A
B
Y

33LMI-FI04

7/16-20

48,5

22,5

26

33LMI-FI05

1/2-20

52

24

28

33LMI-FI06

9/16-18

58

27

31

33LMI-FI08

3/4-16

67

31,5

35,5

33LMI-FI10

7/8-14

78,5

36,5

42

33LMI-FI12

1"1/16-12

87,5

42

45,5

33LMI-FI16

1"5/16-12

97,5

46

51,5

33LMI-FI20

1"5/8-12

111,5

52,5

59

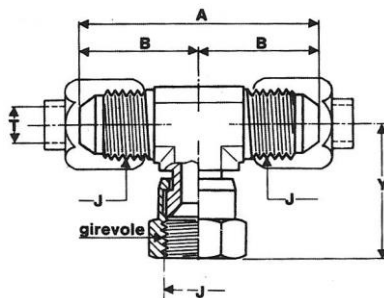
33LMI-FI24

1"7/8-12

124,5

59

65,5

RACCORDO INTERMEDIO A 90° CON DADO GIREVOLE JIC
**RACCORDO
INTERMEDIO A 90°
CON DADO
GIREVOLE JIC**
CODICE
J
A
B
Y

33CMI-FI04

7/16-20

45

22,5

26

33CMI-FI05

1/2-20

48

24

28

33CMI-FI06

9/16-18

54

27

31

33CMI-FI08

3/4-16

63

31,5

35,5

33CMI-FI10

7/8-14

73

36,5

42

33CMI-FI12

1"1/16-12

84

42

45,5

33CMI-FI16

1"5/16-12

92

46

51,5

33CMI-FI20

1"5/8-12

105

52,5

59

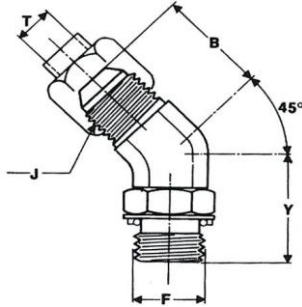
33CMI-FI24

1"7/8-12

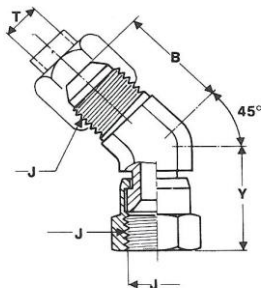
118

59

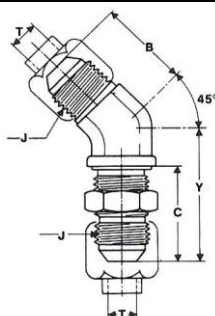
65,5

**RACCORDO
INTERMEDIO A 45°
ORIENT. CON FIL.
TERM. GAS CIL.**


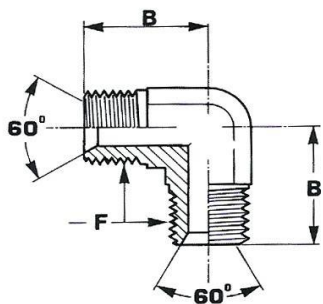
CODICE	J	F GAS CONICO	B	Y	
34RMI04MGSP02	7/16-20	1/8	18	26,5	
34RMI05MGSP04	1/2-20	1/4	21	29	
34RMI06MGSP04	9/16-18	1/4	21	29	
34RMI08MGSP06	3/4-16	3/8	25	33	
34RMI08MGSP08	3/4-16	1/2	25,5	38,5	
34RMI10MGSP08	7/8-14	1/2	28	38,5	
34RMI12MGSP08	1"1/16-12	1/2	32,5	40,5	
34RMI12MGSP12	1"1/16-12	3/4	32,5	44	
34RMI16MGSP16	1"5/16-12	1"	37	47	

RACCOR. A 45° JIC CON DADO GIREVOLE JIC
**RACCOR. A 45° JIC
CON DADO
GIREVOLE JIC**


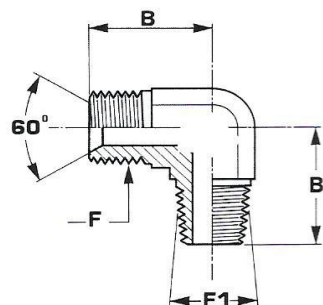
CODICE	J	B	Y		
34MI-FI04	7/16-20	18	24,5		
34MI-FI05	1/2-20	19,5	26,5		
34MI-FI06	9/16-18	21	28,5		
34MI-FI08	3/4-16	25	32		
34MI-FI10	7/8-14	28	37		
34MI-FI12	1"1/16-12	32,5	45,5		
34MI-FI16	1"5/16-12	37	45		

RACCORDO INTERMEDIO A 45° JIC - PASSAPARETE
**RACCORDO
INTERMEDIO A 45°
JIC - PASSAPARETE**


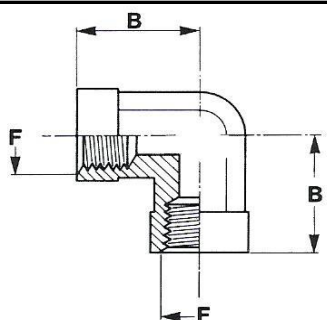
CODICE	J	B	Y	C	
34PMI-04	7/16-20	18	39	28,5	
34PMI-05	1/2-20	19,5	39	28,5	
34PMI-06	9/16-18	21	42,5	30	
34PMI-08	3/4-16	25	49	35	
34PMI-10	7/8-14	28	55	38,5	
34PMI-12	1"1/16-12	32,5	62	42,5	
34PMI-16	1"5/16-12	37	65	42,5	

**ADATTATORE A 90°
INTERMEDIO
FILETTATURA GAS
CILINDRICA**


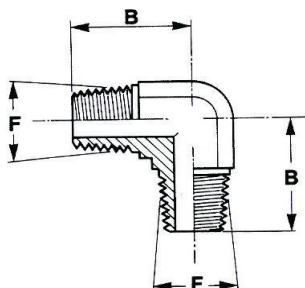
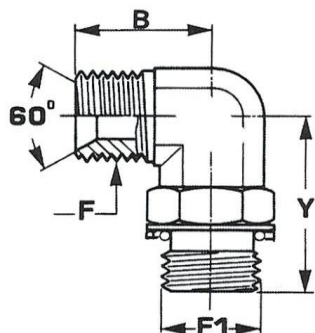
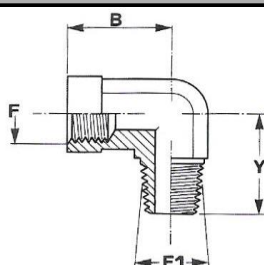
CODICE	F GAS CIL	B			
03MG02	1/8"	20			
03MG04	1/4"	28			
03MG06	3/8"	30			
03MG08	1/2"	37			
03MG10	5/8"	40			
03MG12	3/4"	40			
03MG16	1"	50			
03MG20	1"1/4	52			
03MG24	1"1/2	59			

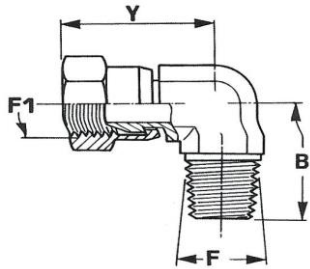
ADATT. A 90° DI ESTREMITA' FILETT. GAS CIL. / GAS CON.
**ADATTATORE A 90°
DI ESTREMITA'
FILETT. GAS CIL. /
GAS CON.**


CODICE	F GAS CIL	F1 GAS CON	B		
03MM02	1/8"	1/8"	20		
03MM04	1/4"	1/4"	27		
03MM06	3/8"	3/8"	30		
03MM08	1/2"	1/2"	37		
03MM10	5/8"	1/2"	37		
03MM12	3/4"	3/4"	40		
03MM16	1"	1"	50		
03MM20	1"1/4	1"1/4	52		
03MM24	1"1/2	1"1/2	59		

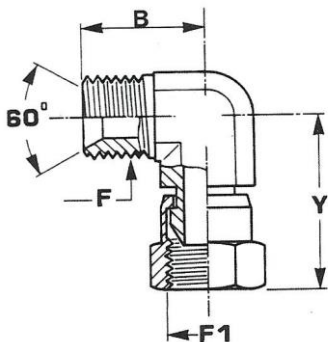
RACCORDO A 90° FEMMINA FILETT. GAS CILINDRICA
**RACCORDO A 90°
FEMMINA FILETT.
GAS CILINDRICA**


CODICE	F GAS CIL	B			
03FF02	1/8"	17			
03FF04	1/4"	22			
03FF06	3/8"	26			
03FF08	1/2"	31			
03FF12	3/4"	35			
03FF16	1"	44			
03FF20	1"1/4	52			

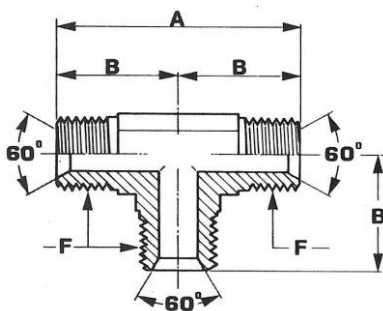
**ADATTATORE A 90°
FILETTATURA GAS
CONICA**

CODICE
**F
GAS CONICA**
B
03MK02
03MK04
03MK06
03MK08
03MK12
03MK16
03MK20
03MK24
1/8"
1/4"
3/8"
1/2"
3/4"
1"
1"1/4"
1"1/2"
20
27
31
37
40
50
52
59
ADATTATORE A 90° ORIENTABILE FILET. GAS CILINDRICA
**ADATTATORE A 90°
ORIENTABILE FILET.
GAS CILINDRICA**

CODICE
**F
GAS CIL**
**F1
GAS CIL**
B
Y
03RMG04
03RMG06-04
03RMG06
03RMG06-08
03RMG08-06
03RMG08
03RMG12-08
03RMG12
03RMG16-12
03RMG16
03RMG20-16
03RMG20
03RMG24
1/4"
3/8"
3/8"
3/8"
1/2"
1/2"
3/4"
3/4"
1"
1"
1"1/4"
1"1/4"
1"1/2"
1/4"
1/4"
3/8"
1/2"
3/8"
1/2"
1/2"
3/4"
3/4"
1"
1"
1"1/4"
1"1/4"
1"1/2"
27
31,5
31,5
31,5
37,5
36,5
40
40
50
50
52
52
52
59
31,5
33,5
37
43
39,5
43
45,5
49
49
52
52
57
61
RACC. A 90° DI ESTREMITA' F/M FIL. GAS CIL. / GAS CON.
**RACCORDO A 90° DI
ESTREMITA' F/M FIL.
GAS CIL. / GAS CON.**

CODICE
**F
GAS CIL**
**F1
GAS CON**
B
Y
03MFF02
03MFF04
03MFF06
03MFF08
03MFF12
03MFF16
1/8"
1/4"
3/8"
1/2"
3/4"
1"
1/8"
1/4"
3/8"
1/2"
3/4"
1"
17
22
26
31
35
44
20
28
31
37
40
56

**ADATTATORE DI
ESTREMITA' A 90°
CON DADO GIR. FIL.
GAS CON. / GAS CIL.**


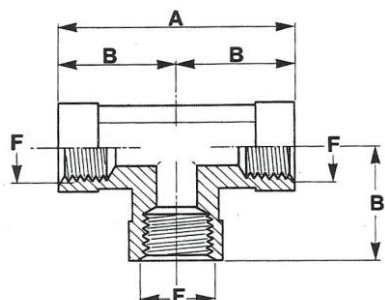
CODICE	F GAS CON	F1 GAS CIL	B	Y	
03MFG04	1/4"	1/4"	27,5	29	
03MFG06	3/8"	3/8"	31,5	34	
03MFG08	1/2"	1/2"	36	40	
03MFG10	5/8"	5/8"	36,5	42	
03MFG12	3/4"	3/4"	40	46	
03MFG16	1"	1"	50	51,5	
03MFG20	1"1/4	1"1/4	52	57	
03MFG24	1"1/2	1"1/2	59	64	

ADAT. INTERMEDIO A 90° CON DADO GIR. FILET. GAS CIL.
**ADATTATORE
INTERMEDIO A 90°
CON DADO GIR.
FILET. GAS CIL.**


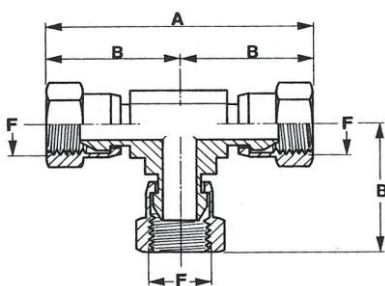
CODICE	F GAS CIL	F1 GAS CIL	B	Y	
12ANST04	1/4"	1/4"	27	29	
12ANST06	3/8"	3/8"	31,5	34	
12ANST08	1/2"	1/2"	37	40	
12ANST10	5/8"	5/8"	36	42	
12ANST12	3/4"	3/4"	40	46	
12ANST16	1"	1"	50	51,5	
12ANST20	1"1/4	1"1/4	52	57	
12ANST24	1"1/2	1"1/2	59	64	

ADATTATORE A T INTERMEDIO FIL. GAS CILINDRICA
**ADATTATORE A T
INTERMEDIO FIL. GAS
CILINDRICA**


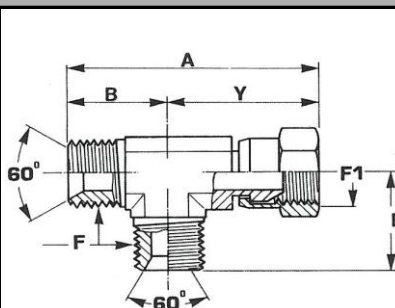
CODICE	F GAS CIL	A	B		
04MM02	1/8"	40	20		
04MM04	1/4"	54	27		
04MM06	3/8"	60	30		
04MM08	1/2"	74	37		
04MM10	5/8"	80	40		
04MM12	3/4"	80	40		
04MM16	1"	100	50		
04MM20	1"1/4	104	52		
04MM24	1"1/2	118	59		

**RACCORDO A T
FEMMINA FIL. GAS
CILINDRICA**


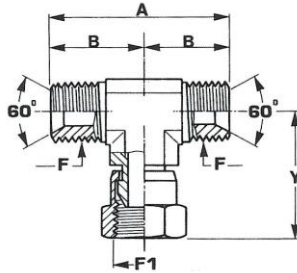
CODICE	F GAS CIL.	A	B		
04FF02	1/8"	34	17		
04FF04	1/4"	44	22		
04FF06	3/8"	52	26		
04FF08	1/2"	62	31		
04FF12	3/4"	70	35		
04FF16	1"	88	44		
04FF20	1"1/4"	100	50		

RAC. A T INTERMEDIO CON DADO GIR. FIL. GAS CILINDRICA
**RACCORDO A T
INTERMEDIO CON
DADO GIR. FIL. GAS
CILINDRICA**


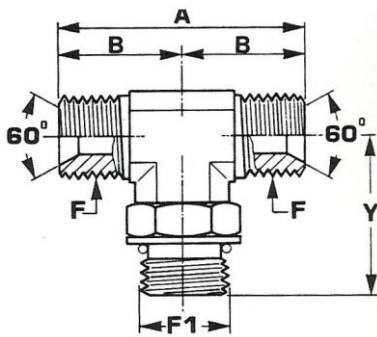
CODICE	F GAS CIL	A	B		
04FG04	1/4"	58	29		
04FG06	3/8"	68	34		
04FG08	1/2"	80	40		
04FG10	5/8"	84	42		
04FG12	3/4"	91	45,5		
04FG16	1"	104	52		

ADATTATORE A T INTERMEDIO FIL. GAS CILINDRICA
**ADATTATORE A T
INTERMEDIO FIL. GAS
CILINDRICA**


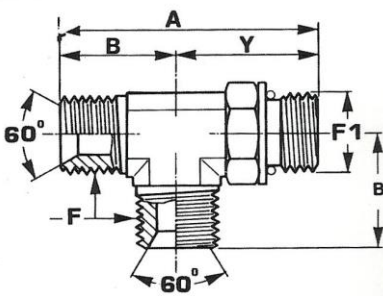
CODICE	F GAS CIL	F1 GAS CIL	A	B	Y
04LMFG04	1/4"	1/4"	58	27	31
04LMFG06	3/8"	3/8"	65,5	31,5	34
04LMFG08	1/2"	1/2"	77	37	40
04LMFG10	5/8"	5/8"	78	36	42
04LMFG12	3/4"	3/4"	86	40	46
04LMFG16	1"	1"	102	50	52
04LMFG20	1"1/4"	1"1/4"	109	52	57
04LMFG24	1"1/2"	1"1/2"	120	59	61

**ADATTATORE DI
ESTR. A T CON DADO
GIR. CENTR. FILET.
GAS CIL.**


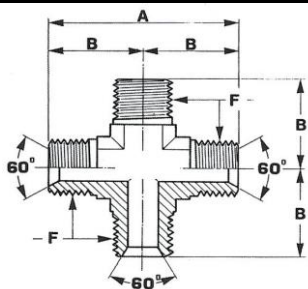
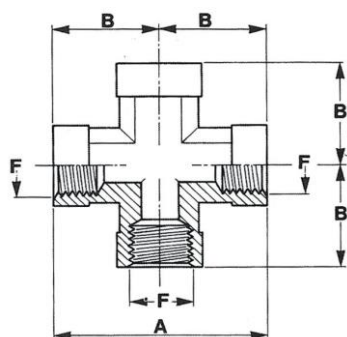
CODICE	F GAS CIL	F1 GAS CIL	A	B	Y	
04CMFG04	1/4	1/4	54	27	29	
04CMFG06	3/8	3/8	63	31,5	34	
04CMFG08	1/2	1/2	74	37	40	
04CMFG10	5/8	5/8	74	37	42	
04CMFG12	3/4	3/4	80	40	46	
04CMFG16	1"	1"	100	50	52	
04CMFG20	1"1/4	1"1/4	104	52	57	
04CMFG24	1"1/2	1"1/2	120	60	61	

ADAT. DI ESTR. A T ORIENT. CON FILET. CENTR. GAS CIL.
**ADATTATORE DI
ESTR. A T ORIENT.
CON FILET. CENTR.
GAS CIL.**


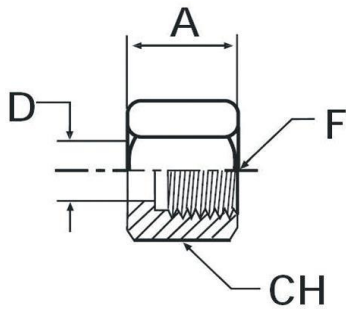
CODICE	F GAS CIL	F1 GAS CIL	A	B	Y	
04RCMG04	1/4	1/4	54	27	31,5	
04RCMG06-04	3/8	1/4	63	31,5	33,5	
04RCMG06	3/8	3/8	63	31,5	36,5	
04RCMG08-06	1/2	3/8	74	37	39,5	
04RCMG08	1/2	1/2	74	37	43	
04RCMG12-08	3/4	1/2	80	40	45,5	
04RCMG12	3/4	3/4	80	40	49	
04RCMG16-12	1"	3/4	100	50	52	
04RCMG16	1"	1"	100	50	52	
04RCMG20-16	1"1/4	1"	104	52	57	
04RCMG20	1"1/4	1"1/4	104	52	57	
04RCMG24	1"1/2	1"1/2	118	59	61	

ADAT. DI ESTR. A T ORIENT. CON FILET. LAT. GAS CIL.
**ADATTATORE DI
ESTR. A T ORIENT.
CON FILET.
LATERALE GAS CIL.**


CODICE	F GAS CIL	F1 GAS CIL	A	B	Y	
04RLMG04	1/4	1/4	58,5	27	31,5	
04RLMG06-04	3/8	1/4	65	31,5	33,5	
04RLMG06	3/8	3/8	68,5	31,5	36,5	
04RLMG08-06	1/2	3/8	76	37	39	
04RLMG08	1/2	1/2	80	37	43	
04RLMG12-08	3/4	1/2	85,5	40	45,5	
04RLMG12	3/4	3/4	89	40	49	
04RLMG16-12	1"	3/4	102	50	52	
04RLMG16	1"	1"	102	50	52	
04RLMG20-16	1"1/4	1"	109	52	57	
04RLMG20	1"1/4	1"1/4	109	52	57	
04RLMG24	1"1/2	1"1/2	120	59	61	

**RACCORDO A CROCE
MASCHIO FIL. GAS
CILINDRICA**

CODICE
**F
GAS CIL.**
A
B
**19MM02
19MM04
19MM06
19MM08
19MM10
19MM12
19MM16**
**1/8"
1/4"
3/8"
1/2"
5/8"
3/4"
1"**
**40
54
60
70
80
80
96**
**20
27
30
35
40
40
48**
RACCORDO A CROCE FEMM. FIL. GAS CILINDRICA
**RACCORDO A CROCE
FEMM. FILETTATURA
GAS CILINDRICA**

CODICE
**F
GAS CIL.**
A
B
**19FF02
19FF04
19FF06
19FF08
19FF12**
**1/8"
1/4"
3/8"
1/2"
3/4"**
**34
44
52
62
70**
**17
22
26
31
35**

DADO LIBERO FRS



CODICE

F

A

D

CH

DL04FRS

9/16-18

14,5

10,5

17

DL06FRS

11/16-16

17

13,5

22

DL08FRS

13/16-16

20

16,6

24

DL10FRS

1-14

24

21,1

30

DL12FRS

1-3/16-12

26,5

24,5

36

DL16FRS

1-7/16-12

27,5

29,1

41

DL20FRS

1-11/16-12

27,5

36

50

DL24FRS

2-12

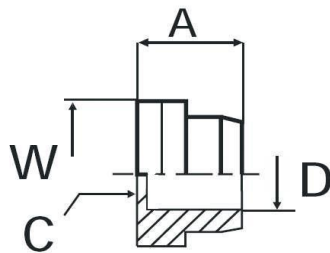
27,5

44

60

TESTINA A SALDARE SEDE PIANA

TESTINA A SALDARE
SEDE PIANA



CODICE

D

A

AS-06

6,15

9,5

AS-08

8,15

9,5

AS-10

10,5

9,5

AS-12

12,5

9,5

AS-14

14,15

10,5

AS-15

15,15

10,5

AS-16

16,15

10,5

AS-18

18,18

14

AS-20

20,18

14

AS-22

22,18

15,5

AS-25

25,18

15,5

AS-28

28,2

15,5

AS-30

30,2

15,5

AS-32

30,2

15,5

AS-35

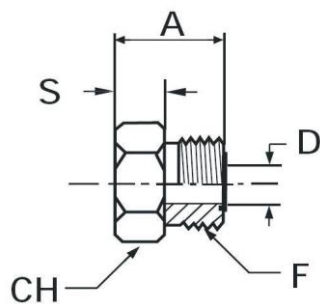
35,2

15,5

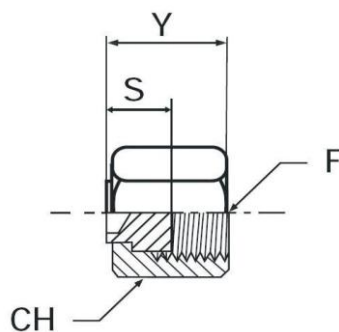
AS-38

38,2

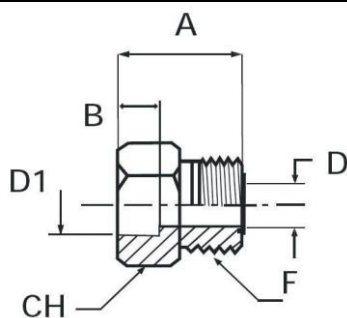
15,5

**TAPPO MASCHIO
ORFS**


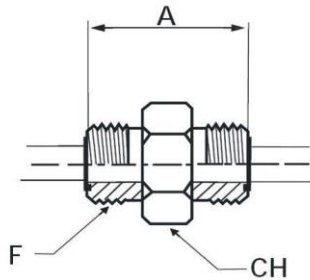
CODICE	F	A	S	D	CH
05TM04FRS	9/16-18	16,5	6,5	5	17
05TM06FRS	11/16-16	19	8	6,5	19
05TM08FRS	13/16-16	22	9	9,5	22
05TM10FRS	1-14	26	10,5	12,5	27
05TM12FRS	1-3/16-12	27,5	10,5	15,5	32
05TM16FRS	1-7/16-12	28	10,5	20,5	41
05TM20FRS	1-11/16-12	28	10,5	26	46
05TM24FRS	2-12	28	10,5	32	55

TAPPO FEMMINA ORFS
**TAPPO FEMMINA
ORFS**


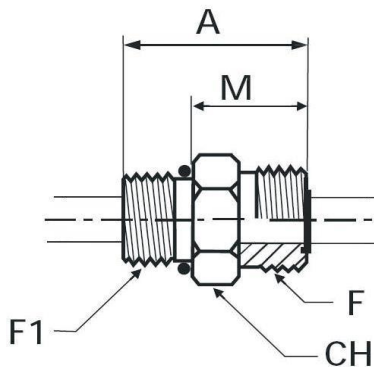
CODICE	F	Y	S	CH
05TF04FRS	9/16-18	16,5	8,5	17
05TF06FRS	11/16-16	18	9,5	22
05TF06FRS	11/16-16	18	8	22
05TF08FRS	13/16-16	22	12	24
05TF10FRS	1-14	24,5	12	30
05TF12FRS	1-3/16-12	27	13,5	36
05TF16FRS	1-7/16-12	28,5	15	41
05TF20FRS	1-11/16-12	28,5	15	50
05TF24FRS	2-12	28,5	15	60

TAPPO MASCHIO A SALDARE ORFS
**TAPPO MASCHIO A
SALDARE ORFS**


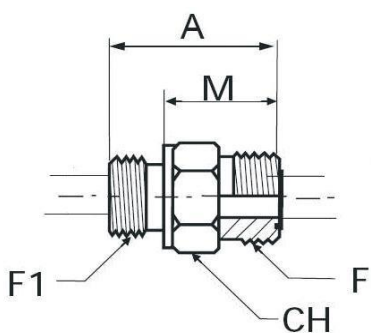
CODICE	F	A	S	D	D1
01NS04FRS	9/16-18	22	8,5	6,15	5
01NS04FRS	9/16-18	22	8,5	10,15	5
01NS06FRS	11/16-16	23	8,5	10,15	6,5
01NS06FRS	11/16-16	23	8,5	12,15	6,5
01NS08FRS	13/16-16	24,5	8,5	12,5	9,5
01NS08FRS	13/16-16	24,5	8,5	16,15	9,5
01NS10FRS	1-14	27,5	9,5	16,15	12,5
01NS10FRS	1-14	27,5	9,5	18,15	12,5
01NS12FRS	1-3/16-12	33,5	12,5	18,5	15,5

**NIPPLO MASCHIO
ORFS**


CODICE	F	A mm	CH mm			PRESSURE Wp
01NP04FRS	9/16-18	27,5	17			630
01NP06FRS	11/16-16	31	19			630
01NP08FRS	13/16-16	35,5	22			630
01NP10FRS	1-14	42,5	27			400
01NP12FRS	1-3/16-12	47	32			400
01NP16FRS	1-7/16-12	49,5	41			400
01NP20FRS	1-11/16-12	51,5	46			250
01NP24FRS	2-12	53	55			250

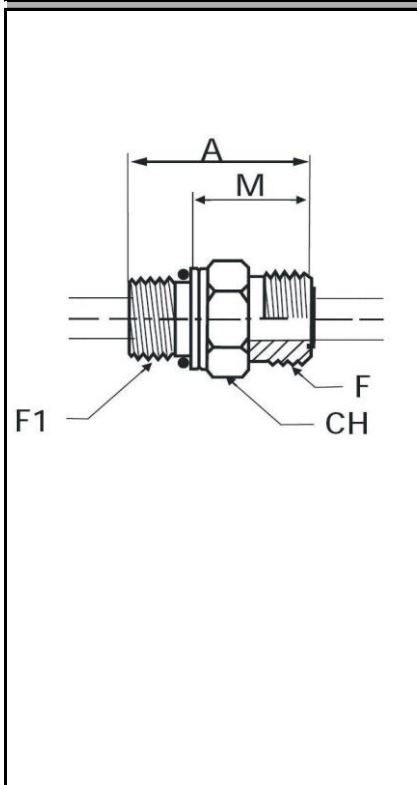
RACC. DIRITTO ORFS - FILETTATURA MASCHIO UNF-2A
**RACCORDO DIRITTO
ORFS - FILETTATURA
MASCHIO UNF-2A**


CODICE	F ORFS	F1 UNF	A mm	M	CH mm	PRESSURE Wp
02NR04MS-04FRS	9/16-18	7/16-20	28,7	18,7	17	630
02NR06MS-04FRS	9/16-18	9/16-18	30,5	18,5	19	630
02NR08MS-04FRS	9/16-18	3/4-16	33,5	19,5	22	630
02NR06MS-06FRS	11/16-16	9/16-18	32	21	19	630
02NR08MS-06FRS	11/16-16	3/4-16	35	21	22	630
02NR10MS-06FRS	11/16-16	7/8-14	38,8	28	27	630
02NR04MS-06FRS	11/16-16	7/16-20	34	23	19	630
02NR06MS-08FRS	13/16-16	9/16-18	37,5	26,5	22	630
02NR08MS-08FRS	13/16-16	3/4-16	36,5	22,5	22	630
02NR10MS-08FRS	13/16-16	7/8-14	40,4	24,4	27	630
02NR12MS-08FRS	13/16-16	1-1/16-12	44,4	25,9	32	400
02NR16MS-08FRS	13/16-16	1-5/16-12	45,5	27	38	400
02NR08MS-10FRS	1-14	3/4-16	45	31	27	400
02NR10MS-10FRS	1-14	7/8-14	43	27	27	400
02NR12MS-10FRS	1-14	1-1/16-12	47	28,5	32	400
02NR08MS-12FRS	1-3/16-12	3/4-16	48,5	34,5	32	400
02NR10MS-12FRS	1-3/16-12	7/8-14	50,5	34,5	32	400
02NR12MS-12FRS	1-3/16-12	1-1/16-12	48,5	30	32	400
02NR16MS-12FRS	1-3/16-12	1/5-16-12	50	31,5	38	400
02NR12MS-16FRS	1-7/16-12	1-1/16-12	56	37,5	38	400
02NR20MS-16FRS	1-7/16-12	1-5/8-12	52,5	34	46	400
02NR16MS-16FRS	1-7/16-12	1-5/16-12	50	32	38	250
02NR16MS-20FRS	1-11/16-12	1-5/16-12	58	39,5	46	400
02NR20MS-20FRS	1-11/16-12	1-5/8-12	52,5	34	46	250
02NR24MS-20FRS	1-11/16-12	1-7/8-12	54	35,5	54	250
02NR24MS-20FRS	1-11/16-12	1-7/8-12	54	35,5	55	250
02NR20MS-24FRS	2-12	1-5/8-12	59,5	41	55	250
02NR24MS-24FRS	2-12	1-7/8-12	54	35,5	55	250
02NR24MS-24FRS	2-12	1-7/8-12	59,5	35,5	55	250

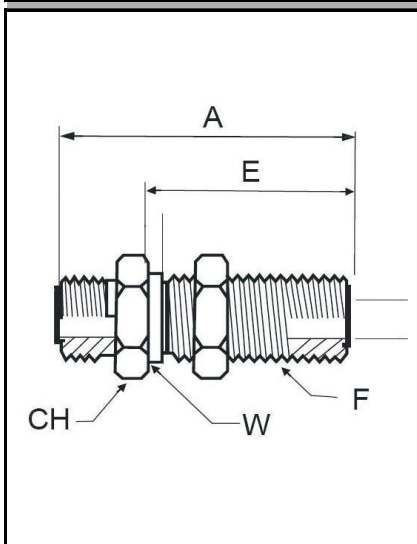
**RACCORDO DIRITTO
ORFS CON FIL. TERM.
GAS CIL.**


CODICE	F	F1 GAS	A mm	M mm	CH mm	PRESSURE Wp
---------------	----------	-------------------	-----------------	-----------------	------------------	------------------------

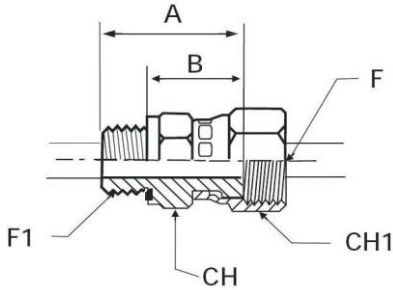
02NR02-04FRS	9/16-18	1/8-28	25,5	17,5	17	630
02NR04-04FRS	9/16-18	1/4-19	30,5	18,5	19	630
02NR06-04FRS	9/16-18	3/8-19	31,5	19,5	22	630
02NR08-04FRS	9/16-18	1/2-14	35,5	24,5	27	630
02NR02-06FRS	11/16-16	1/8-28	31	23	19	630
02NR04-06FRS	11/16-16	1/4-19	32	20	19	630
02NR08-06FRS	11/16-16	1/2-14	37	24,5	27	630
02NR12-06FRS	11/16-16	3/4-14	40,5	24,5	32	400
02NR06-06FRS	11/16-16	3/8-16	33	21,5	22	630
02NR04-08FRS	13/16-16	1/4-19	34,5	25,5	22	630
02NR06-08FRS	13/16-16	3/8-19	34,5	22,5	22	630
02NR08-08FRS	13/16-16	1/2-14	38,5	24,5	27	630
02NR12-08FRS	13/16-16	3/4-14	42	26	32	400
02NR06-10FRS	1-14	3/8-19	43	32	27	400
02NR08-10FRS	1-14	1/2-14	41	27	27	400
02NR12-10FRS	1-14	3/4-14	44,5	28,5	32	400
02NR16-10FRS	1-14	1-11	48	30	41	400
02NR08-12FRS	1-3/16-12	1/2-14	48,5	34,5	32	400
02NR12-12FRS	1-3/16-12	3/4-14	46	30	32	400
02NR16-12FRS	1-3/16-12	1-11	49	31	41	400
02NR20-12FRS	1-3/16-12	1-1/4-11	53,5	33,5	50	400
02NR12-16FRS	1-7/16-12	3/4-14	52	36	41	400
02NR16-16FRS	1-7/16-12	1-11	50	31,5	41	400
02NR20-16FRS	1-7/16-12	1-1/4-11	54	34	50	400
02NR24-16FRS	1-7/16-12	1-1/2-11	57,5	35,5	55	250
02NR16-20FRS	1-11/16-12	1-11	57,5	39,5	46	250
02NR20-20FRS	1-11/16-12	1-1/4-11	54	34	50	250
02NR24-20FRS	1-11/16-12	1-1/2-11	57,5	35,5	50	250
02NR32-24FRS	2-12	2-11	57,5	35,5	55	250

**RACCORDO DIRITTO
ORFS CON FIL. TERM.
MASCHIO METRICO
CIL.**


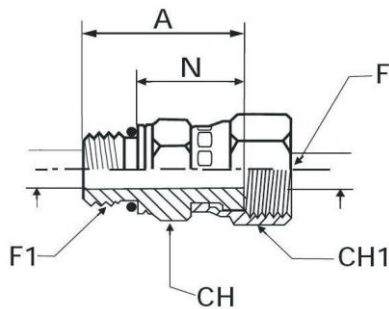
CODICE	F	F1 UNF	A mm	M	CH mm	PRESSURE Wp
02NR12AMW-04FRS	9/16-18	M12X1,5	28,5	17,5	17	630
02NR14AMW-04FRS	9/16-18	M14X1,5	29,5	18,5	19	630
02NR12AMW-06FRS	11/16-16	M12X1,5	32	21	19	630
02NR14AMW-06FRS	11/16-16	M14X1,5	32,5	20	22	630
02NR16AMW-06FRS	11/16-16	M16X1,5	32,5	20	22	630
02NR18AMW-08FRS	13/16-16	M18X1,5	36,5	22,5	24	630
02NR22AMW-08FRS	13/16-16	M22X1,5	39,5	27	27	630
02NR18AMW-10FRS	1-14	M18X1,5	41	27	27	400
02NR22AMW-10FRS	1-14	M22X1,5	42	27	27	400
02NR22AMW-12FRS	1-3/16-12	M22X1,5	45	27	32	400
02NR27BMW-12FRS	1-3/16-12	M27X2	48,5	30	32	400
02NR33BMW-12FRS	1-3/16-12	M33X2	51,5	33	32	400
02NR33BMW-16FRS	1-7/16-12	M33X2	50,5	32	41	400
02NR33BMW-20FRS	1-11/16-12	M33X2	53	34,5	46	220
02NR42BMW-20FRS	1-11/16-12	M42X2	53	34	50	220
02NR48BMW-24FRS	2-12	M48X2	57	35,5	55	220

RACCORDO INTERMEDIO DIRITTO ORFS PASSAPARETE
**RACCORDO
INTERMEDIO DIRITTO
ORFS PASSAPARETE**


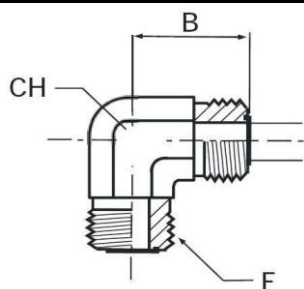
CODICE	F	A mm	E mm	W mm	CH mm	PRESSURE Wp
01PSP04FRS	9/16-18	48	31,5	14,28	22	630
01PSP06FRS	11/16-16	53	34	17,45	27	630
01PSP08FRS	13/16-16	58,5	36,5	20,63	30	630
01PSP10FRS	1-14	66,5	40,5	25,4	36	400
01PSP12FRS	1-3/16-12	70	42	36,5	41	400
01PSP16FRS	1-7/16-12	70	42	36,5	46	400
01PSP20FRS	1-11/16-12	70	42	42,8	50	250
01PSP24FRS	2-12	70	42	50,8	60	250

**RACCORDO DIRITTO
DADO GIR. ORFS
FIL. TERM. MASCHIO
GAS CIL.**


CODICE	F	F1	B mm	CH mm	CH1 mm	PRESSURE Wp
02MG02-04FRS	9/16-18	1/8-28	26,2	14	19	400
02MG04-04FRS	9/16-18	1/4-19	26,2	19	19	400
02MG04-06FRS	11/16-16	1/4-19	20,8	19	22	400
02MG06-06FRS	11/16-16	3/8-19	28,2	22	22	400
02MG06-08FRS	13/16-16	3/8-19	35,8	22	24	400
02MG08-08FRS	13/16-16	1/2-14	35,5	27	24	400
02MG08-10FRS	1-14	1/2-14	38	27	30	400
02MG12-12FRS	1-3/16-12	3/4-14	41,4	32	36	400
02MG16-16FRS	1-7/16-12	1-11	49	41	46	400
02MG20-20FRS	1-11/16-12	1-1/4-11	49	50	50	250
02MG24-24FRS	2-12	1-1/2-11	49,8	55	60	250

RACC. DIRITTO DADO GIR. ORFS FIL. TERM. METR. CIL.
**RACCORDO DIRITTO
DADO GIR. ORFS FIL.
TERM. METR. CIL.**


CODICE	F	F1	B mm	CH mm	CH1 mm	PRESSURE Wp
02MG12AMW-04FRS	9/16-18	M12X1,5	26,2	17	19	400
02MG14AMW-06FRS	11/16-16	M14X1,5	28,2	19	22	400
02MG16AMW-06FRS	11/16-16	M16X1,5	28,2	22	22	400
02MG16AMW-08FRS	13/16-16	M16X1,5	35,3	22	24	400
02MG22AMW-10FRS	1-14	M22X1,5	37,8	27	30	400
02MG27BMW-12FRS	1-3/16-12	M27X2	41,2	32	36	400
02MG33BMW-16FRS	1-7/16-12	M33X2	49	41	46	400
02MG42BMW-20FRS	1-11/16-12	M42X2	49	50	50	250
02MG48BMW-24FRS	2-12	M48X2	49	55	60	250

**RACCORDO
INTERMEDIO A 90°**

CODICE
F
B
**D
mm**
**CH
mm**
**PRESSURE
Wp**
03MM04FRS

9/16-18

21,5

5

14

630

03MM06FRS

11/16-16

25

6,5

19

630

03MM08FRS

13/16-16

28

9,5

19

630

03MM10FRS

1-14

33,5

12,5

27

400

03MM12FRS

1-3/16-12

37,5

15,5

30

400

03MM16FRS

1-7/16-12

41,5

20,5

36

400

03MM20FRS

1-11/16-12

44,5

26

41

250

03MM24FRS

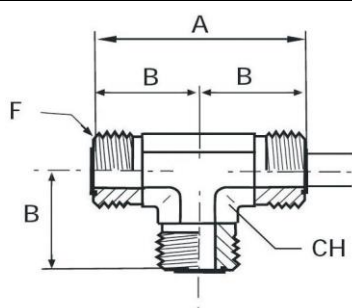
2-12

49

32

48

250

RACCORDO ORFS INTERMEDIO A T
**RACCORDO ORFS
INTERMEDIO A T**

CODICE
F
**B
mm**
**D
mm**
**CH
mm**
**PRESSURE
Wp**
04MM04FRS

9/16-18

21,5

5

14

630

04MM06FRS

11/16-16

25

6,5

19

630

04MM08FRS

13/16-16

28

9,5

19

630

04MM10FRS

1-14

33,5

12,5

27

400

04MM12FRS

1-3/16-12

37,5

15,5

30

400

04MM16FRS

1-7/16-12

41,5

20,5

36

400

04MM20FRS

1-11/16-12

44,5

26

41

250

04MM24FRS

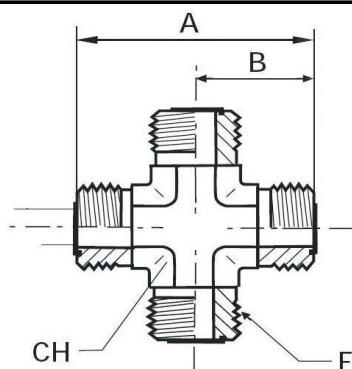
2-12

49

32

48

250

RACCORDO ORFS INTERMEDIO A CROCE
**RACCORDO ORFS
INTERMEDIO A
CROCE**

CODICE
F
**A
mm**
**B
mm**
**CH
mm**
**PRESSURE
Wp**
19MM04FRS

9/16-18

43

21,5

5

630

19MM06FRS

11/16-16

50

25

6,5

630

19MM08FRS

13/16-16

56

28

9,5

630

19MM10FRS

1-14

67

33,5

12,5

400

19MM12FRS

1-3/16-12

75

37,5

15,5

400

19MM16FRS

1-7/16-12

83

41,5

20,5

400

19MM20FRS

1-11/16-12

89

44,5

26

250

19MM24FRS

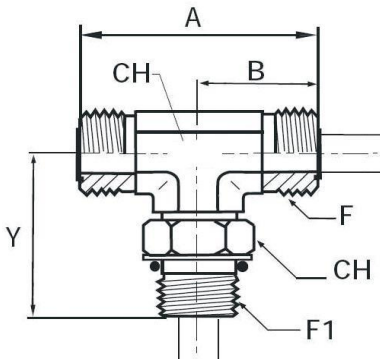
2-12

98

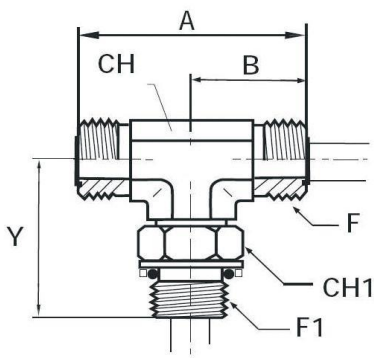
49

32

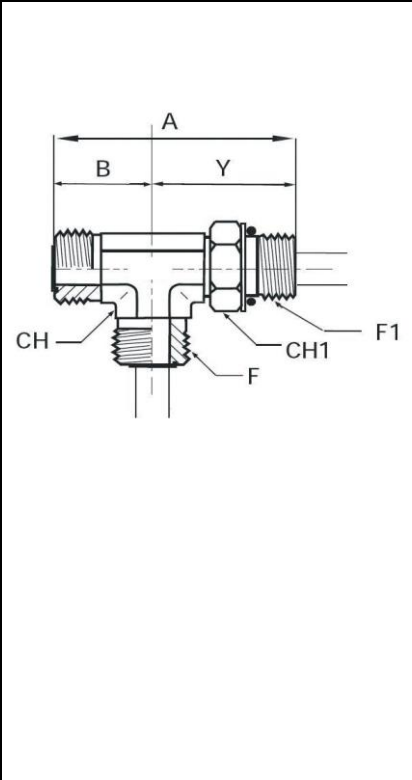
250

**RACCORDO DI
ESTREMITA' A T
ORIENT. CENTR. CON
FIL. TERM. UNF-2A**


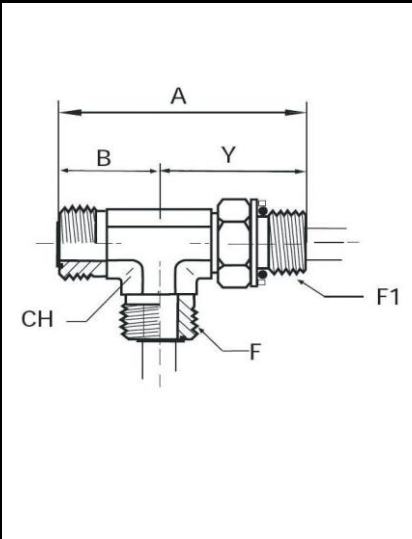
CODICE	F	F1	A mm	B mm	CH1 mm	PRESSURE Wp
33RCMRS04-MS04	9/16-18	7/16-20	21,5	30,2	14	320
33RCMRS06-MS06	11/16-16	9/16-18	23,5	33,5	19	320
33RCMRS08-MS08	13/16-16	3/4-16	25	35,5	19	320
33RCMRS10-MS10	1"-14	7/8-14	26,5	38	27	320
33RCMRS12-MS12	1-3/16-12	1-1/16-12	28	38	30	320
33RCMRS16-MS16	1-7/16-12	1-5/16-12	33,5	51,4	36	250
33RCMRS20-MS20	1-11/16-12	1-5/8-12	33,5	48,6	41	320
33RCMRS24-MS24	2-12	1-7/8-12	33,5	40,7	48	320

RACC. DI ESTREMITA' A T CENT. GAS / LATERALE ORFS
**RACC. DI ESTREMITA'
A T ORIENT. ORFS
CENTR. CON FIL.
TERM. GAS CIL.**


CODICE	F	F1	A mm	B mm	Y mm	PRESSURE Wp
33RCM04FRS-MG02	9/16-18	1/8	43	21,5	30,2	320
33RCM04FRS-MG04	9/16-18	1/4	47	23,5	36	320
33RCM06FRS-MG04	11/16-16	1/4	50	25	36	320
33RCM06FRS-MG06	11/16-16	3/8	53	26,5	38	320
33RCM08FRS-MG06	13/16-16	3/8	56	28	38	320
33RCM08FRS-MG08	13/16-16	1/2	56	28	38	320
33RCM10FRS-MG08	1-14	1/2	67	33,5	48,6	320
33RCM10FRS-MG12	1-14	3/4	71,6	35,8	51,5	250
33RCM12FRS-MG12	1-3/16-12	3/4	75	37,5	51,5	250
33RCM16FRS-MG16	1-7/16-12	1	83	41,5	58,4	250
33RCM20FRS-MG20	1-11/16-12	1-14	85	44,5	61	180
33RCM24FRS-MG20	2-12	1-14	98	49	65	180

**RACC. DI ESTREMITA'
A T ORIENT. LATER.
CON FILETT. TERM.
UNF-2A**


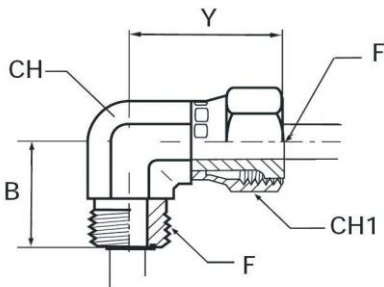
CODICE	F	F1	A mm	B mm	CH1 mm	PRESSURE Wp
33RLMRS04-MS04	9/16-18	7/16-20	21,5	30,2	14	320
33RLMRS06-MS06	11/16-16	9/16-18	23,5	33,5	19	320
33RLMRS06-MS06	11/16-16	9/16-18	23,5	38	19	320
33RLMRS08-MS08	13/16-16	3/4-16	25	35,5	19	320
33RLMRS10-MS10	1"-14	7/8-14	28	35,5	27	320
33RLMRS12-MS12	1-3/16-12	1-1/16-12	28	38	30	320
33RLMRS16-MS16	1-7/16-12	1-5/16-12	33,5	51,4	36	250
33RLMRS20-MS20	1-11/16-12	1-5/8-12	33,5	48,6	41	320
33RLMRS24-MS24	2-12	1-7/8-12	33,5	40,7	48	320

RACC. DI ESTR. A T OR. ORFS CENT. CON FIL. TER. GAS CIL.
**RACC. DI ESTREMITA'
A T ORIENT. LAT.
CON FIL. TERM. GAS
CIL.**


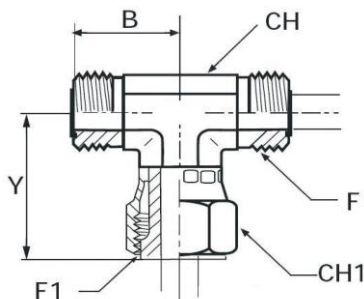
CODICE	F	F1	A mm	B mm	Y mm	PRESSURE Wp
33RLM04FRS-MG02	9/16-18	1/8	51,5	21,5	30	320
33RLM04FRS-MG04	9/16-18	1/4	59,5	23,5	36	320
33RLM06FRS-MG04	11/16-16	1/4	61	25	36	320
33RLM06FRS-MG06	11/16-16	3/8	64,5	26,5	38	320
33RLM08FRS-MG06	13/16-16	3/8	66	28	38	320
33RLM08FRS-MG08	13/16-16	1/2	79,3	30,8	48,5	320
33RLM10FRS-MG08	1-14	1/2	82	33,5	48,5	320
33RLM10FRS-MG12	1-14	3/4	87,5	36	51,5	250
33RLM12FRS-MG12	1-3/16-12	3/4	89	37,5	51,5	250
33RLM12FRS-MG16	1-3/16-12	1	100	41,5	58,5	250
33RLM16FRS-MG16	1-7/16-12	1	100	41,5	58,5	250
33RLM20FRS-MG20	1-11/16-12	1-14	105,5	44,5	61	180
33RLM24FRS-MG24	2-12	1-12	114	49	65	180

**RACCORDO
INTERMEDIO A 90°
ORFS CON DADO
GIREVOLE**

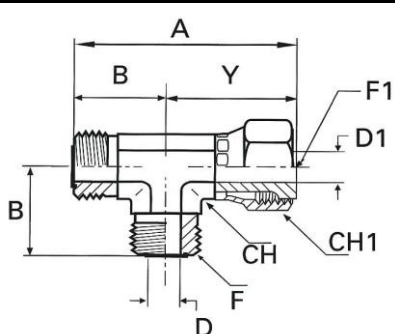
CODICE	F	F1	B mm	Y mm	CH1 mm	PRESSURE Wp
39MRS-FRS04	9/16-18	9/16-18	21,5	26,5	17	400
39MRS-FRS06	11/16-16	11/16-16	25	29,5	22	400
39MRS-FRS08	13/16-16	13/16-16	28	38	24	400
39MRS-FRS10	1-14	1-14	33,5	41	30	400
39MRS-FRS12	1-3/16-12	1-3/16-12	37,5	46,5	36	400
39MRS-FRS16	1-7/16-12	1-7/16-12	41,5	53,5	41	400
39MRS-FRS20	1-11/16-12	1-11/16-12	44,5	58	50	250
39MRS-FRS24	2-12	2-12	49	61	60	200

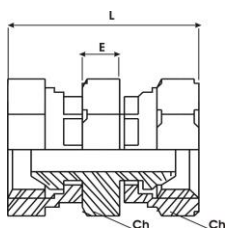

RACCORDO ORFS A T CON DADO GIREVOLE CENTRALE
**RACCORDO ORFS A T
CON DADO
GIREVOLE
CENTRALE**

CODICE	F	F1 mm	B mm	Y mm	CH1 mm	PRESSURE Wp
04CMFG04FRS	9/16-18	9/16-18	21,5	26,5	14	400
04CMFG06FRS	11/16-16	11/16-16	25	29,5	19	400
04CMFG08FRS	13/16-16	13/16-16	28	38	24	400
04CMFG10FRS	1-14	1-14	33,5	41	27	400
04CMFG12FRS	1-3/16-16	1-3/16-12	37,5	46,5	32	400
04CMFG16FRS	1-7/16-12	1-7/16-12	41,5	53	38	400
04CMFG20FRS	1-11/16-12	1-11/16-12	44,5	58	50	250
04CMFG24FRS	2-12	2-12	49	61	55	200


RACCORDO ORFS A T CON DADO GIREVOLE LATERALE
**RACCORDO ORFS A T
CON DADO
GIREVOLE LATERALE**

CODICE	F	F1 mm	B mm	Y mm	CH1 mm	PRESSURE Wp
04LMFG04FRS	9/16-18	9/16-18	21,5	26,5	14	400
04LMFG06FRS	11/16-16	11/16-16	25	29,5	19	400
04LMFG08FRS	13/16-16	13/16-16	28	38	24	400
04LMFG10FRS	1-14	1-14	33,5	41	27	400
04LMFG12FRS	1-3/16-12	1-3/16-12	37,5	46,5	32	400
04LMFG16FRS	1-7/16-12	1-7/16-12	41,5	53	38	400
04LMFG20FRS	1-11/16-12	1-11/16-12	44,5	58	50	250
04LMFG24FRS	2-12	2-12	49	61	55	200



01FG...

CODICE

Filetto

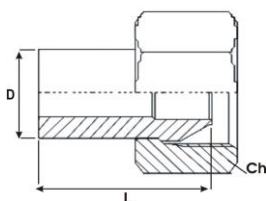
L

E

CH1

CH2

01FG14A	14X1,5	40	7	19	17	
01FG16A	16X1,5	42	7	22	22	
01FG18A	18X1,5	43	7	24	24	
01FG20A	20X1,5	49	8	27	27	
01FG22A	22X1,5	49	8	27	27	
01FG24A	24X1,5	53	10	27	30	

OGGIVA CON DADO LIBERO A SALDARE DI TASCA
08SL...

CODICE

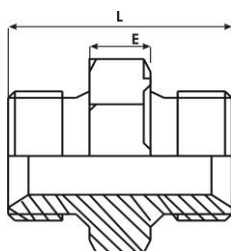
Filetto

L

D

CH

08SL04	1/4-19	30	9	17		
08SL06	3/8-19	39	13	22		
08SL08	1/2-14	41	16	27		
08SL12	3/4-14	40,5	22	32		
08SL16	1-11	47,6	25	38		
08SL20	1.1/4-11	55	36	50		
08SL32	2-11	53	51	65		

NIPPLO M/M GAS
01NP...

CODICE

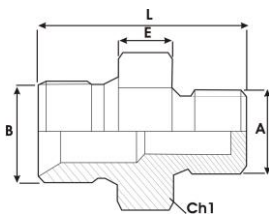
Filetto

L

E

CH

01NP02	1/8-28	25	6	14		
01NP04	1/4-19	29	7	19		
01NP06	3/8-19	34	8	22		
01NP08	1/2-14	37,5	9,5	27		
01NP10	5/8-14	42	10	30		
01NP12	3/4-14	42	10	32		
01NP16	1-11	50	12	41		
01NP20	1.1/4-11	57	17	50		
01NP24	1.1/2-11	60	16	55		
01NP32	2-11	70	17	70		
01NP40	2.1/2-11	85	21	85		
01NP48	3-11	95	25	100		

02NR...-...

CODICE

Filetto A

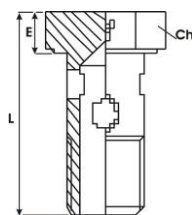
Filetto B

L

E

CH

02NR04-02	1/4-19	1/8-28	27,5	7	19	
02NR06-02	3/8-19	1/8-28	28	6,5	19	
02NR06-04	3/8-19	1/4-19	32	8	22	
02NR08-02	1/2-14	1/8-28	31	7	27	
02NR08-04	1/2-14	1/4-19	35	10	27	
02NR08-06	1/2-14	3/8-19	37	10	27	
02NR10-04	5/8-14	1/4-19	37	10	27	
02NR10-06	5/8-14	3/8-19	39	10	30	
02NR10-08	5/8-14	1/2-14	40	10	30	
02NR12-04	3/4-14	1/4-19	38	10	32	
02NR12-06	3/4-14	3/8-19	40	10	32	
02NR12-08	3/4-14	1/2-14	40	10	32	
02NR12-10	3/4-14	5/8-14	43	10	32	
02NR16-04	1-11	1/4-19	42	12	41	
02NR16-06	1-11	3/8-19	44	12	41	
02NR16-08	1-11	1/2-14	45	12	41	
02NR16-10	1-11	5/8-14	45	10	38	
02NR16-12	1-11	3/4-14	47	12	41	
02NR20-08	1.1/4-11	1/2-14	48	12,5	50	
02NR20-12	1.1/4-11	3/4-14	53	17	50	
02NR20-16	1.1/4-11	1-11	56	17	50	
02NR24-08	1.1/2-11	1/2-14	50	14	55	
02NR24-12	1.1/2-11	3/4-14	52	13	55	
02NR24-20	1.1/2-11	1.1/4-11	56	14	55	
02NR32-10	2-11	5/8-14	60	17	70	
02NR32-16	2-11	1-11	62	17	70	
02NR32-20	2-11	1.1/4-11	65	17	70	
02NR32-24	2-11	1.1/2-11	65	17	70	
02NR40-24	2.1/2-11	1.1-2-11	74	21	85	
02NR40-32	2.1/2-11	2-11	79	21	85	
02NR48-40	3-11	2.1/2-11	92	25	100	

VITE FORATA
06VS...

CODICE

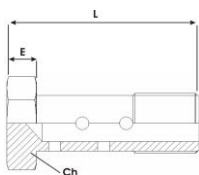
Filetto

L

E

CH

06VS02	1/8-28	26	5	14	
06VS04	1/4-19	38	8	19	
06VS04-MF	1/4-19	33,5	5,4	19	
06VS06	3/8-19	40,5	8,5	22	
06VS08	1/2-14	48	9,5	27	
06VS10	5/8-14	55	10	30	
06VS12	3/4-14	56	9,5	32	
06VS16	1-11	68	13,5	41	
06VS20	1.1/2-11	85	13,5	55	

06VD...

CODICE

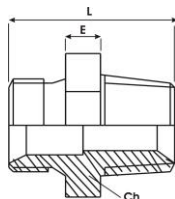
Filetto

E

CH

CH

06VD02	1/8-28	38,5	6	14		
06VD04	1/4-19	50	7	19		
06VD06	3/8-19	58	8	22		
06VD08	1/2-14	72	9	27		
06VD12	3/4-14	89	11	32		
06VD16	1-11	106	12	41		

NIPLO M/M GAS CONICO CILINDRICO
01CC...

CODICE

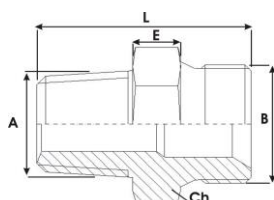
Filetto

L

E

CH

01CC02	23	23	6	14		
01CC04	32	32	7	17/16		
01CC06	35	35	8	19		
01CC08	42,5	42,5	9,5	24		
01CC12	45	45	10	32		
01CC16	55	55	12	36		
01CC24	60,5	60,5	13,5	50		
01CC32	64	64	12	65		
01CC40	68	68	13	75		

NIPLO M/M GAS CONICO-GAS CILINDRICO
02CC...

CODICE

Filetto A

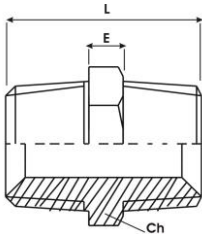
Filetto B

L

E

CH

02CC04-02	1/4-19	1/8-28	31	7	17	
02CC06-04	3/8-19	1/4-19	32	7	19	
02CC08-04	1/2-14	1/4-19	39	10	24	
02CC08-06	1/2-14	3/8-19	39	8	24	
02CC12-06	3/4-14	3/8-19	43	9	32	
02CC12-08	3/4-14	1/2-14	43,5	10	32	
02CC16-12	1-11	3/4-14	50	10	36	
02CC04-06	1/4-19	3/8-19	32,5	7	19	
02CC06-08	3/8-19	1/2-14	38	9	24	
02CC08-10	1/2-14	5/8-14	59	9,5	28	
02CC04-08	1/4-19	1/2-14	38	10	24	
02CC08-12	1/2-14	3/4-14	43	8	27	
02CC12-16	3/4-14	1-11	49	12	36	
02CC16-20	1-11	1.1/4-11	57	13	50	
02CC12-06	3/4-14	3/8-19	45	11	32	

01CN...

CODICE

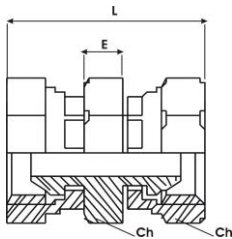
Filetto

L

E

CH

01CN02	1/8-28	26	6	14		
01CN04	1/4-19	35	7	17		
01CN06	3/8-19	36,5	8	19		
01CN08	1/2-14	48	9	22		
01CN12	3/4-14	48	10	27		
01CN16	1-11	59	10	36		
01CN20	1.1/4-11	63,5	14	46		
01CN24	1.1/2-11	67	14	50		
01CN32	2-11	68	12	60		
01CN40	2.1/2-11	78	21	80		

GIUNZIONE F/F GIREVOLE
01FG...

CODICE

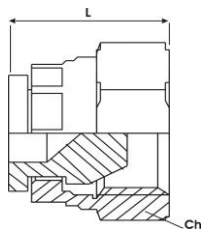
Filetto

L

E

CH

01FG02	1/8-28	34	7	15		
01FG04	1/4-19	37	7	19		
01FG06	3/8-19	44	8	22		
01FG08	1/2-14	50	9,5	27		
01FG10	5/8-14	55	10	28		
01FG12	3/4-14	59	10	32		
01FG16	1-11	66,5	12	41		
01FG20	1.1/4-11	76	9	50		
01FG24	1.1/2-11	83	14	55		
01FG32	2-11	91,5	17	70		

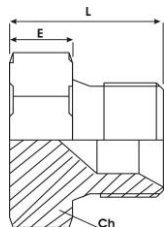
TAPPO FEMMINA
05TF...

CODICE

Filetto

L

CH

05TF02	1/8-28	14	15			
05TF04	1/4-19	19	17			
05TF06	3/8-19	22	20			
05TF08	1/2-14	27	23			
05TF10	5/8-14	30	25,5			
05TF12	3/4-14	32	28			
05TF16	1-11	38	29			
05TF20	1.1/4-11	50	35			
05TF24	1.1/2-11	55	39			
05TF32	2-11	70	44			

05TM...

CODICE

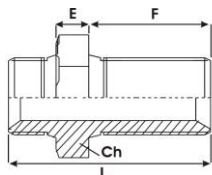
Filetto

L

E

CH

05TM02	1/8-28	15,5	6	14		
05TM04	1/4-19	18	7	19		
05TM06	3/8-19	20	8	22		
05TM08	1/2-14	23	9	27		
05TM10	5/8-14	26	10	30		
05TM12	3/4-14	26	10	32		
05TM16	1-11	31	12	41		
05TM20	1.1/4-11	34	14	50		
05TM24	1.1/2-11	36	14	55		
05TM32	2-11	43	17	70		

PASSAPARETE DIRITTO
01PSP...

CODICE

Filetto

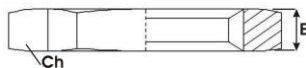
L

F

E

CH

01PSP04	1/4-19	45	28	6	19	
01PSP06	3/8-19	53	33	7	22	
01PSP08	1/2-14	59	37	8	27	
01PSP10	5/8-14	71	45	10	30	
01PSP12	3/4-14	80	53	10	32	
01PSP16	1-11	81	51	11	41	
01PSP20	1.1/4-11	96	61	13	50	

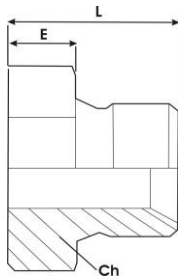
GHIERA GAS PER PASSAPARETE
CD...FG

CODICE

Filetto

E

CH

CD04FG	1/4-19	6	19		
CD06FG	3/8-19	7	22		
CD08FG	1/2-14	7	27		
CD10FG	5/8-14	10	30		
CD12FG	3/4-14	10	32		
CD16FG	1-11	12	41		
CD20FG	1.1/4-11	13	50		
CD24FG	1.1/2-11	13	55		
CD32FG	2-11	8	70		

01NS...

CODICE

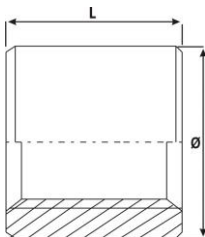
Filetto

L

E

CH

01NS02	1/8-28	16	7	14		
01NS04	1/4-19	18	7	19		
01NS06	3/8-19	22	10	22		
01NS08	1/2-14	24	10	27		
01NS10	5/8-14	26	10	30		
01NS12	3/4-14	26	10	32		
01NS16	1-11	31	12	41		
01NS20	1.1/4-11	34	13	50		
01NS24	1.1/2-11	36	14	55		
01NS32	2-11	40	16	65		
01NS40	2.1/2-11	51	17	85		
01NS48	3-11	60	25,5	100		
01NS56	4-11	60	25,5	110		

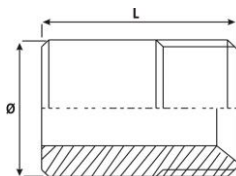
BORCHIA FILETTATA A SALDARE
09BS...

CODICE

Filetto

L

Ø

09BS02	1/8-28	13	17			
09BS04	1/4-19	16	22			
09BS06	3/8-19	17	26			
09BS08	1/2-14	17	30			
09BS10	5/8-14	19	32			
09BS12	3/4-14	20	38			
09BS16	1-11	25	46			
09BS20	1.1/4-11	26	56			
09BS24	1.1/2-11	30	62			
09BS32	2-11	30	75			
09BS40	2.1/2-11	40	90			

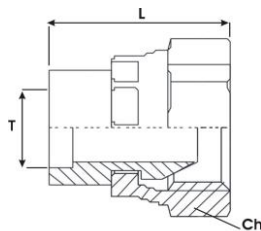
MANICOTTO A SALDARE
09MS...

CODICE

Filetto

L

Ø

09MS02	1/8-28	20	10			
09MS04	1/4-19	30	13			
09MS06	3/8-19	35	17			
09MS08	1/2-14	35	21			
09MS10	5/8-14	41	23			
09MS12	3/4-14	32,5	27			
09MS16	1-11	41	33			
09MS20	1.1/4-11	50	42			
09MS24	1.1/2-11	50	48			
09MS32	2-11	54	59,5			

08OSS...

CODICE

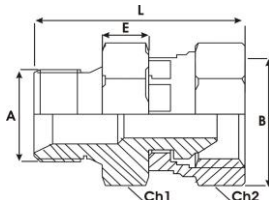
Filetto

L

T

CH

08OSS04	1/4-19	18	8	19		
08OSS06	3/8-19	28	12	22		
08OSS08	1/2-14	31	14	27		
08OSS10	5/8-14	34	17	28		
08OSS12	3/4-14	36	21	32		
08OSS16	1-11	41,5	26	41		
08OSS20	1.1/4-11	40	32	50		
08OSS24	1.1/2-11	42	38	55		

GIUNZIONE M/F GIREVOLE
02MG...-...

CODICE

Filetto A

Filetto B

L

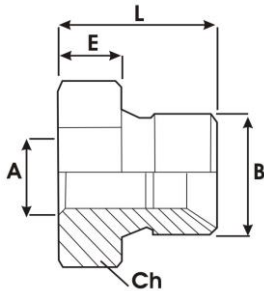
E

CH1

CH2

02MG04-06	1/4-19	3/8-19	35	7	19	22
02MG04-08	1/4-19	1/2-14	40	8	19	27
02MG06-08	3/8-19	1/2-14	42	9	22	27
02MG06-12	3/8-19	3/4-14	46,5	11	27	32
02MG08-12	1/2-14	3/4-14	52	13	27	32
02MG12-16	3/4-14	1-11	54	12	32	38
02MG06-04	3/8-19	1/4-19	36	8	22	19
02MG08-04	1/2-14	1/4-19	40	11	27	19
02MG08-06	1/2-14	3/8-19	42	10	27	22
02MG12-08	3/4-14	1/2-14	49	12	32	27
02MG16-08	1-11	1/2-14	51	12	40	27
02MG16-12	1-11	3/4-14	55	12	41	32
02MG20-16	1.1/4-11	1-11	60	14	38	50
02MG04-12A	1/4-19	12X1,5	32	6	17	17
02MG04-14A	1/4-19	14X1,5	32	6	17	17
02MG04-16A	1/4-19	16X1,5	35	7	19	22
02MG06-16A	3/8-19	16X1,5	40	8	22	22
02MG06-18A	3/8-19	18X1,5	39	9	22	22
02MG08-18A	1/2-14	18X1,5	43	9	27	22
02MG08-22A	1/2-14	22X1,5	41	9	27	27
02MG12-18A	3/4-14	18X1,5	53	12	31	24
02MG12-22A	3/4-14	22X1,5	48	10	32	27

02FMB...-...



CODICE

Filetto A

Filetto B

L

E

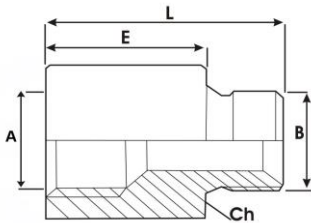
CH

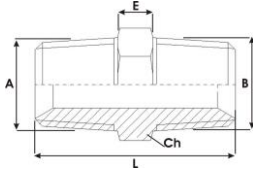
02FMB02-06	1/8-28	3/8-19	21	8	22
02FMB04-06	1/4-19	3/8-19	21	8	22
02FMB04-08	1/4-19	1/2-14	24	10	27
02FMB04-12	1/4-19	3/4-14	26	10	32
02FMB04-16	1/4-19	1-11	31	12	41
02FMB06-08	3/8-19	1/2-14	24	10	27
02FMB06-12	3/8-19	3/4-14	26	10	32
02FMB06-16	3/8-19	1-11	30	12	41
02FMB08-12	1/2-14	3/4-14	26	10	32
02FMB08-16	1/2-14	1-11	31	12	41
02FMB08-20	1/2-14	1.1/4-11	36	14	50
02FMB12-20	3/4-14	1.1/4-11	34	14	50
02FMB12-24	3/4-14	1.1/2-11	36	14	55
02FMB16-24	1-11	1.1/2-11	36	14	55
02FMB16-32	1-11	2-11	43	17,5	70
02FMB20-32	1.1/4-11	2-11	43	17,5	70
02FMB24-32	1.1/4-11	2-11	43	12	70
02FMB04-18A	1/4-19	18X1,5	20	7	22
02FMB04-22A	1/4-19	22X1,5	22	8	27
02FMB16A-14A	16X1,5	14X1,5	33	22	21
02FMB06-10C	3/8-19	10X1	20	7	21
02FMB12-18A	3/4-14	18X1,5	27	10	32
02FMB14A-18A		18X1,5	21	7	22
02FMB16A-20A	1-11	20X1,5	23	9	27

02FM...-...

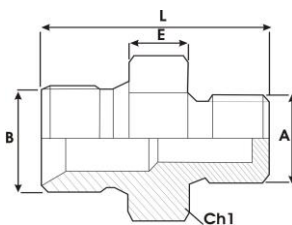
CODICE Filetto A Filetto B L E CH

02FM02-04	1/8-28	1/4-19	26	15	19
02FM02-08	1/8-28	1/2-14	24	10	27
02FM04-06	1/4-19	3/8-19	35	22	22
02FM04-08	1/4-19	1/2-14	36	22	27
02FM06-08	3/8-19	1/2-14	36	22	27
02FM06-12	3/8-19	3/4-14	39	22	32
02FM08-12	1/2-14	3/4-14	43	27	32
02FM08-16	1/2-14	1-11	46	26	38
02FM12-16	3/4-14	1-11	50	31	41
02FM16-20	1-11	1.1/4-11	53	32	50
02FM20-24	1.1/4-11	1.1/2-11	54	32	55
02FM04-02	1/4-19	1/8-28	29	20	19
02FM06-02	3/8-19	1/8-28	29,5	22	22
02FM06-04	3/8-19	1/4-19	33	22	22
02FM08-02	1/2-14	1/8-28	33	25	27
02FM08-04	1/2-14	1/4-19	34	23	27
02FM08-06	1/2-14	3/8-19	39	26	27
02FM12-04	3/4-14	1/4-19	41	30	32
02FM12-06	3/4-14	3/8-19	42	29	32
02FM12-08	3/4-14	1/2-14	43	29	32
02FM16-06	1-11	3/8-19	45	32	41
02FM16-08	1-11	1/2-14	46	32	41
02FM20-12	1.1/4-11	3/4-14	49	32	50
02FM20-16	1.1/4-11	1-11	51	32	50
02FM24-08	1.1/2-11	1/2-14	53	39	55
02FM24-16	1.1/2-11	1-11	54	34	55
02FM24-20	1.1/2-11	1.1/4-11	56	34	55
02FM32-16	2-11	1-11	60	40	70
02FM32-24	2-11	1.1/2-11	57	35	70
02FM10C-04	1/4-19	10X1	24,5	13	17
02FM02-16A	1/8-28	16X1,5	33	20	22
02FM12A-04	1/4-19	12X1,5	24	14	17
02FM14A-04	1/4-19	14X1,5	27	16	17
02FM16A-04	1/4-19	16X1,5	33	22	22
02FM18A-04	1/4-19	18X1,5	34	22	24
02FM20A-04	1/4-19	20X1,5	37	26	27
02FM14A-06	3/8-19	14X1,5	32	20	22
02FM16A-06	3/8-19	16X1,5	32	19	22
02FM18A-06	3/8-19	18X1,5	35	22	24
02FM14A-08	1/2-14	14X1,5	34	20	27
02FM16A-08	1/2-14	16X1,5	34	20	27
02FM18A-08	1/2-14	18X1,5	34	20	27
02FM22A-14A		14X1,5	30	21	27
02FM22A-16A		16X1,5	34	21	27

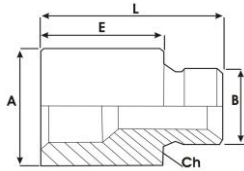


02CN...-...


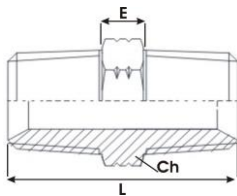
CODICE	Filetto A	Filetto B	L	E	CH	
02CN04-02	1/4-19	1/8-28	30	8	14	
02CN06-04	3/8-19	1/4-19	38	8	22	
02CN08-04	1/2-14	1/4-19	40	9	24	
02CN08-06	1/2-14	3/8-19	42	9,5	24	
02CN12-08	3/4-14	1/2-14	47	9	32	
02CN16-12	1-11	3/4-14	56	13	36	
02CN20-16	1.1/4-11	1-11	61	14	50	
02CN24-20	1.1/2-11	1.1/4-11	64	14	50	

NIPPO M/M DI RIDUZIONE
02NR...-...


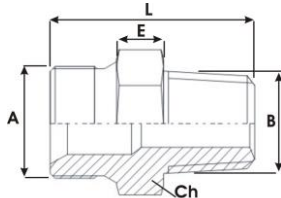
CODICE	Filetto A	Filetto B	L	E	CH	
02NR02-10C	1/8-28	10X1	25	6	14	
02NR04-10C	1/4-19	10X1	25	7	17	
02NR04-10A	1/4-19	10X1,5	28	6	19	
02NR04-12A	1/4-19	12X1,5	29	7	19	
02NR04-14A	1/4-19	14X1,5	28	7	19	
02NR04-16A	1/4-19	16X1,5	30	7	22	
02NR04-18A	1/4-19	18X1,5	30	7	22	
02NR06-12A	3/8-19	12X1,5	31	8	22	
02NR06-14A	3/8-19	14X1,5	30	7	22	
02NR06-16A	3/8-19	16X1,5	33	8	22	
02NR06-18A	3/8-19	18X1,5	35	8	24	
02NR06-20A	3/8-19	20X1,5	35	8	27	
02NR06-22A	3/8-19	22X1,5	35	8	27	
02NR08-14A	1/2-14	14X1,5	36	10	27	
02NR08-16A	1/2-14	16X1,5	35	8	27	
02NR08-18A	1/2-14	18X1,5	36	8	27	
02NR08-20A	1/2-14	20X1,5	37	8	27	
02NR08-22A	1/2-14	22X1,5	36	8	27	
02NR08-24A	1/2-14	24X1,5	39	9	30	
02NR08-26A	1/2-14	26X1,5	40	9	32	
02NR10-18A	5/8-14	18X1,5	40	10	27	
02NR10-22A	5/8-14	22X1,5	40	10	27	
02NR12-18A	3/4-14	18X1,5	39	9	32	
02NR12-22A	3/4-14	22X1,5	41	9	32	
02NR12-24A	3/4-14	24X1,5	43	10	32	
02NR12-26A	3/4-14	26X1,5	41	9	32	
02NR16-26A	1-11	26X1,5	48	12	40	
02NR16-30A	1-11	30X1,5	46	10	38	
02NR12-33B	3/4-14	33X2	48	13	40	
02NR12-30A	3/4-14	30X1,5	42	10	32	

02FM...-...


CODICE	Filetto A	Filetto B	L	E	CH		
02FM02-10C	1/8-28	10X1	27	17	14		
02FM04-10C	1/4-19	10X1	30	20	19		
02FM04-16A	1/4-19	16X1,5	33	20	22		
02FM04-18A	1/4-19	18X1,5	34	21	24		
02FM04-20A	1/4-19	20X1,5	33	19	27		
02FM06-14A	3/8-19	14X1,5	30	19	22		
02FM06-16A	3/8-19	16X1,5	32	19	22		
02FM06-18A	3/8-19	18X1,5	33	20	24		
02FM06-22A	3/8-19	22X1,5	35	22	27		
02FM08-18A	1/2-14	18X1,5	34	21	27		
02FM08-22A	1/2-14	22X1,5	36	21	27		
02FM12-18A	3/4-14	18X1,5	39	26	32		
02FM12-22A	3/4-14	22X1,5	42	28	32		
02FM12-26A	3/4-14	26X1,5	44	28	32		
02FM14A-10C	14X1,5	10X1	30	20	19		
02FM20A-08	20X1,5	1/2-14	38	25	27		
02FM22A-08	22X1,5	1/2-14	36	21	27		
02FM14A-16A	14X1,5	16X1,5	33	20	22		

NIPPLO NPTF
01NN...


CODICE	Filetto A	L	E	CH		
01NN02	1/8-28	29	6	13		
01NN04	1/4-19	32	7	17		
01NN06	3/8-19	38	8	19		
01NN08	1/2-14	40	8	27		
01NN16	1-11	60	18	36		
01NN32	2-11	75	22	65		

02GN...

CODICE

Filetto A

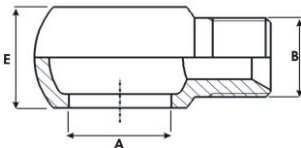
Filetto B

L

E

CH

02GN02	1/8-28		24	6	14	
02GN04	1/4-19		31	7	17	
02GN06	3/8-19		34	8	19	
02GN08	1/2-14		41	10	24	
02GN12	3/4-14		46	11	30	
02GN16	1-11		54	12	36	
02GN20	1.1/4-11		60	16	50	
02GN24	1.1/2-11		60	13	55	
02GN32	2-11		64	15	65	
02GN04-02	1/4-19	1/8-28	28	7	14	
02GN04-08	1/4-19	1/2-14	36	10	22	
02GN06-04	3/8-19	1/4-19	33	7	19	
02GN06-08	3/8-19	1/2-14	39	9	24	
02GN08-06	3/8-19	3/8-19	39	8	24	
02GN08-04	3/8-19	1/4-19	36	8	24	
02GN08-12	3/8-19	3/4-14	45	11	27	
02GN12-08	3/4-14	1/2-14	43	9	27	
02GN12-16	3/4-14	1-11	53	12	36	
02GN16-12	1-11	3/4-14	52	11	36	
02GN24-32	1.1/2-11	2-11	64	7	65	

OCCHIO FILETTATO SENZA BATTUTA
07OF...-...

CODICE

Filetto A

Filetto B

L

E

07OF02-02	1/8-28	1/8-28	27	11		
07OF04-04	1/4-19	1/4-19	36	14		
07OF06-04	3/8-19	1/4-19	41	17		
07OF06-06	3/8-19	3/8-19	42	17		
07OF06-08	3/8-19	1/2-14	48	20		
07OF08-06	1/2-14	3/8-19	50	22		
07OF08-08	1/2-14	1/2-14	50	22		
07OF12-08	3/4-14	1/2-14	63	29		
07OF12-12	3/4-14	3/4-14	60	30		
07OF16-12	1-11	3/4-14	69	34		
07OF16-16	1-11	1-11	82	38		
07OF10-10	5/8-14	5/8-14	54	24		
07OF14-04		1/4-19	36	14		
07OF18-06		3/8-19	49	21		
07OF18-08		1/2-14	50	21		
07OF20-08	1.1/4-11	1/2-14	50	22		
07OF14-14A		14X1,5	36	15		
07OF16-16A		16X1,5	40	18		
07OF18-18A		18X1,5	46	20		
07OF22-22A		22X1,5	49	22		
07OF18-22A		22X1,5	50	22		
07OF04-14A	1/4-19	14X1,5	36	14		
07OF06-16A	3/8-19	16X1,5	40	17		
07OF06-18A	3/8-19	18X1,5	44	20		
07OF08-18A	1/2-14	18X1,5	48	23		

07OFB...-...

CODICE

Filetto A

Filetto B

L

E

CH

07OFB0404

1/4-19

1/4-19

51

14

17

07OFB0606

3/8-19

3/8-19

57

17

22

07OFB0808

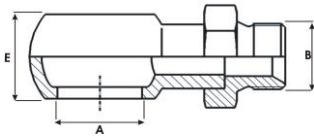
1/2-14

1/2-14

69

22

22



VITE FORATA

06VS...

CODICE

Filetto A

L

E

CH

06VS10C

10X1

26

5

14

06VS10A

10X1,5

27

6

14

06VS14A

14X1,5

38

8

19

06VS16A

16X1,5

40

8

22

06VS18A

18X1,5

44

8,5

24

06VS20A

20X1,5

45

8

27

06VS22A

22X1,5

50

9

27

06VS24A

24X1,5

49

9

30

06VS26A

26X1,5

57

9,5

32

06VS8D

29

4

13

06VS6C

6X1

20

4

10

06VS8C

8X1

22

4,5

12

06VS10D

26

5

14

06VS12C

12X1

28

5

17

06VS12D

28

5

17

06VS24B

24X2

56

10

30

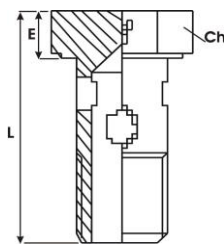
06VS30A

30X1,5

67

9

38



06VD...

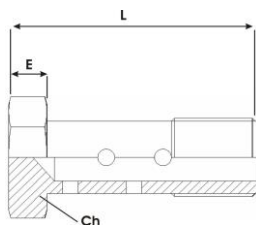
CODICE

Filetto A

L

E

CH



06VD10C	10X1	39	6	14
06VD12A	12X1,5	47	7	17
06VD14A	14X1,5	49	6,5	19
06VD16A	16X1,5	58	8	22
06VD18A	18X1,5	65	8	24
06VD8C	8X1	30	4	12
06VD12C	12X1,5	47	7	17

GIUNZIONE M/F GIREVOLE

02MG.....

CODICE

Filetto A

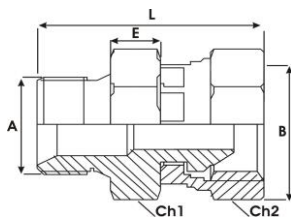
Filetto B

L

E

CH1

CH2



02MG06-16A	3/8-19	16X1,5	40	8	22	22
02MG04-18A	1/4-19	18X1,5	42	9	24	19
02MG04-14A	1/4-19	14X1,5	35	7	19	19
02MG08-22A	1/2-14	22X1,5	43	8	27	27
02MG04-16A	1/4-19	16X1,5	35	7	19	17
02MG18A-16A	18X1,5	16X1,5	41	8	24	22
02MG16A-18A	16X1,5	18X1,5	39	8	22	22