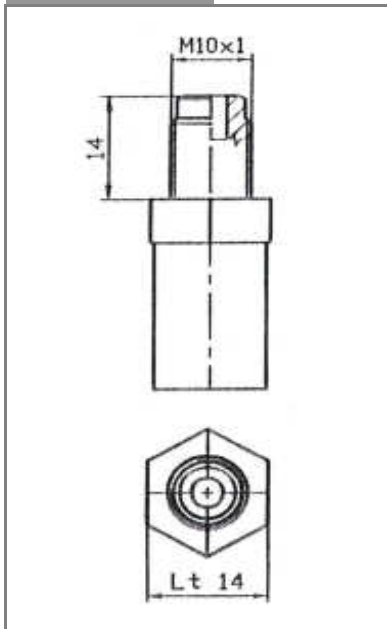
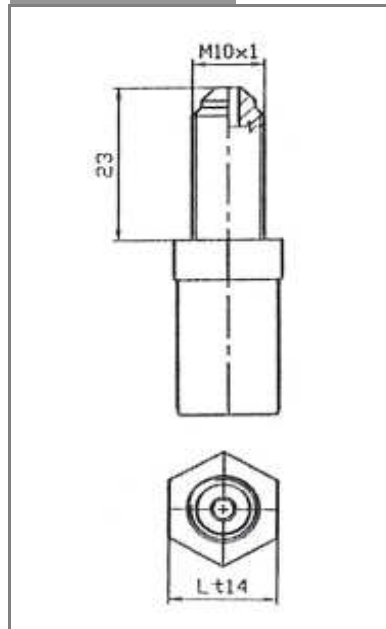


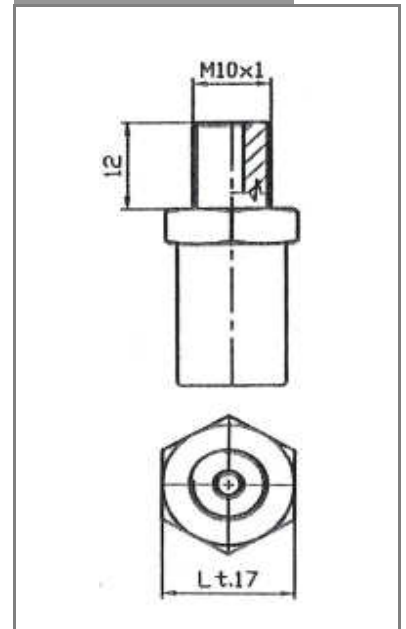
CP02M01



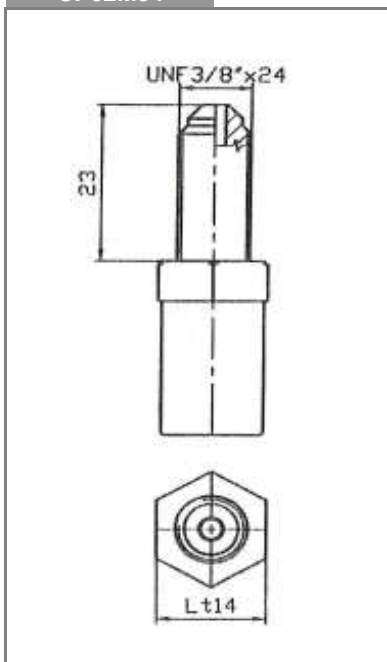
CP02M02



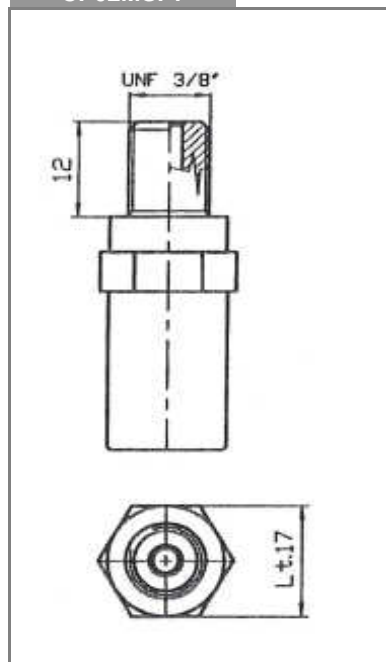
CP02MSP13



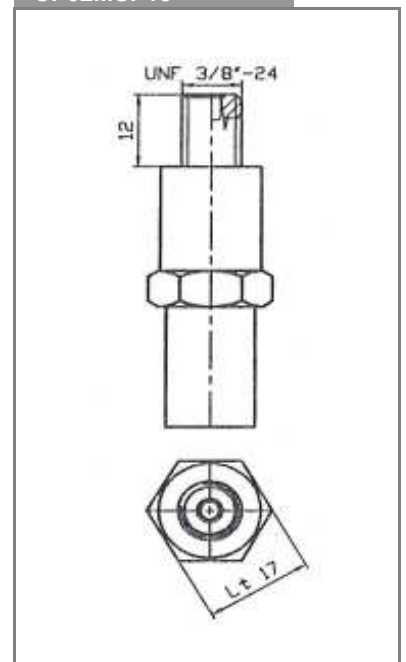
CP02M34



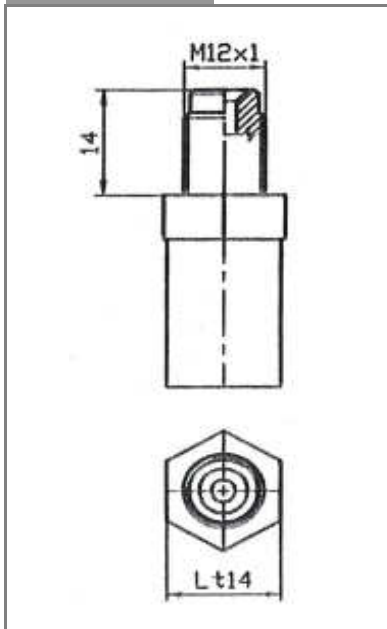
CP02MSP7



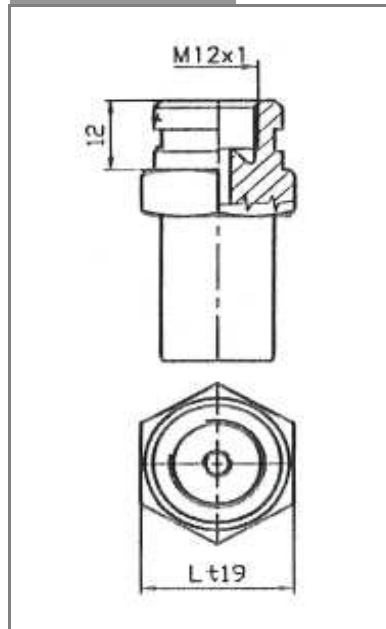
CP02MSP15



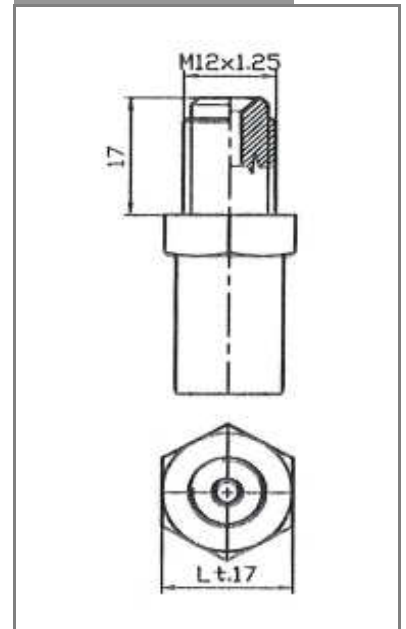
CP02M05



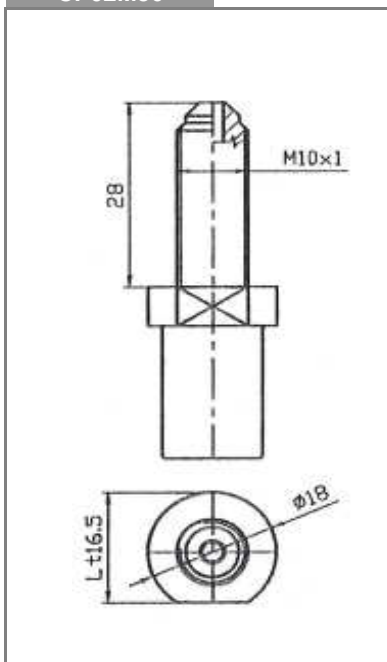
CP02FF21



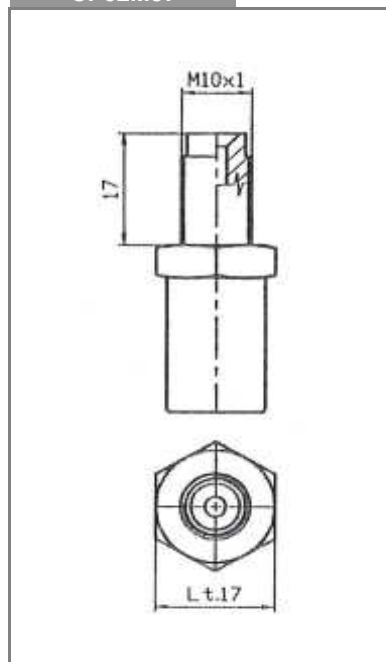
CP02M35



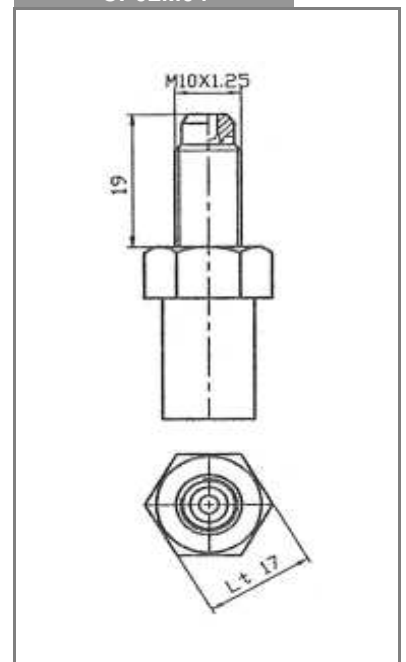
CP02M36



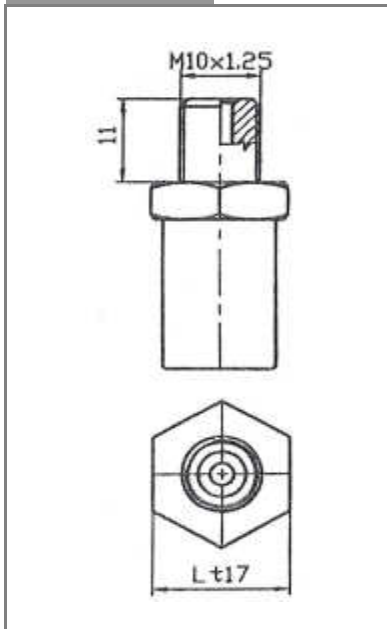
CP02M37



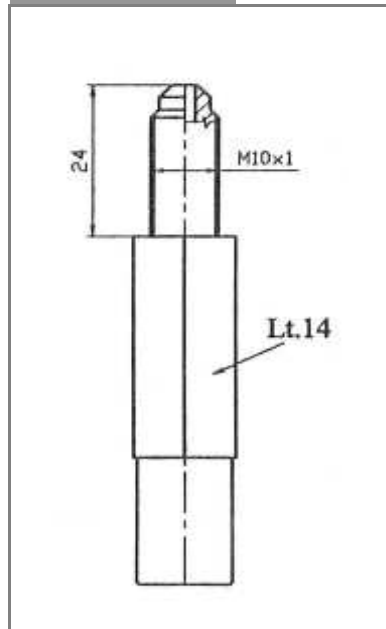
CP02M04



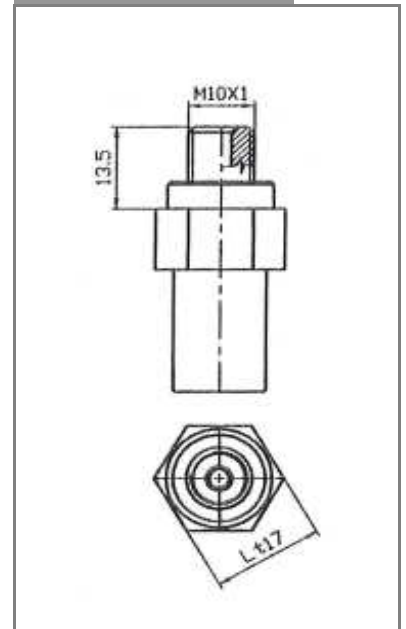
CP02MSP16



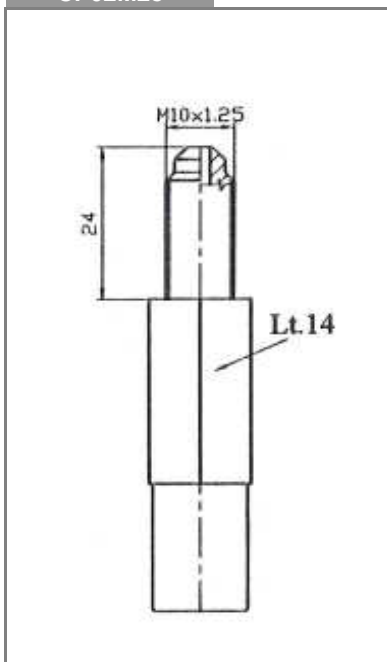
CP02M38



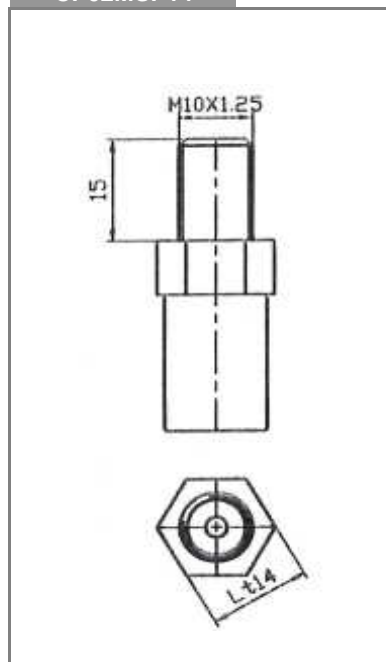
CP02M24



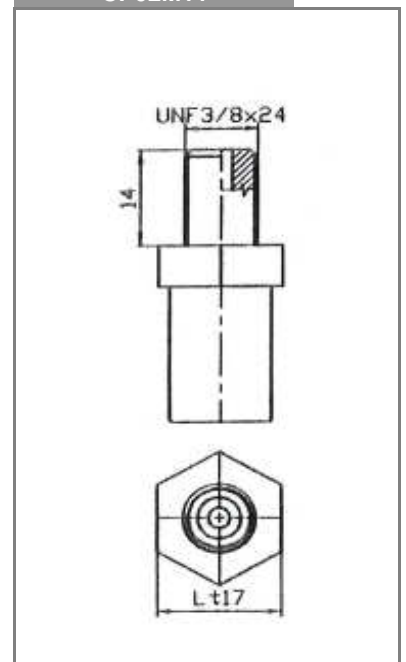
CP02M28



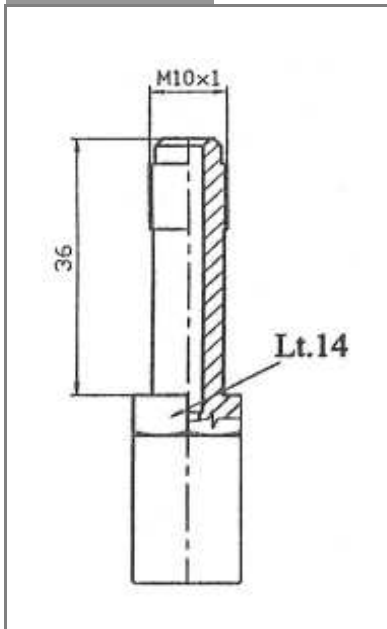
CP02MSP14



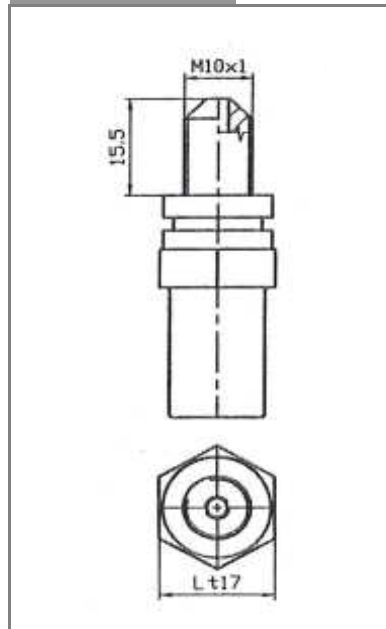
CP02M11



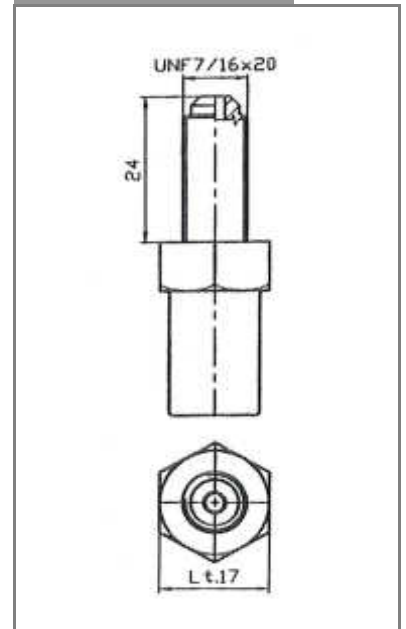
CP02M39



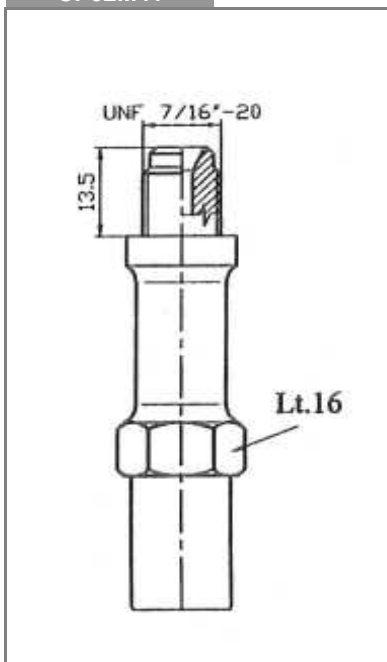
CP02M34



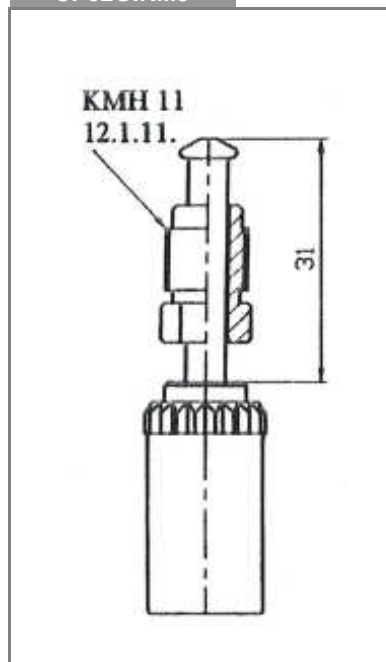
CP02M40



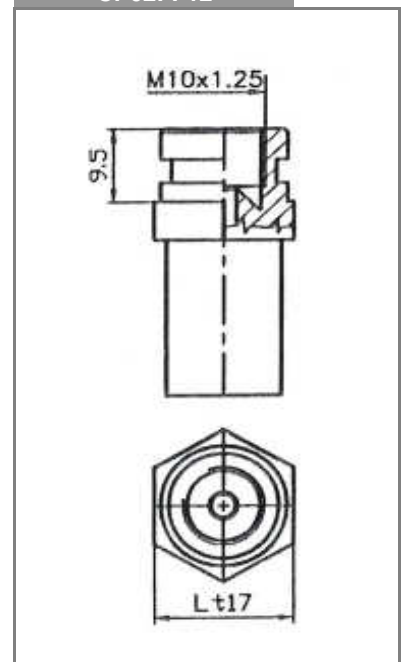
CP02M41



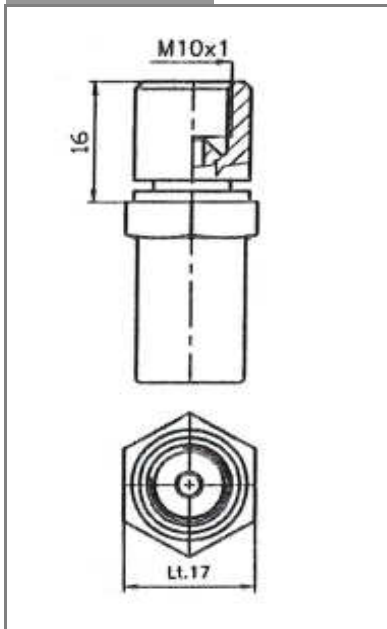
CP02GIRM3



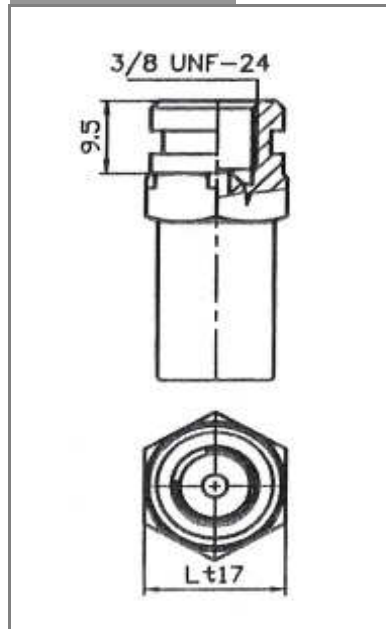
CP02FF12



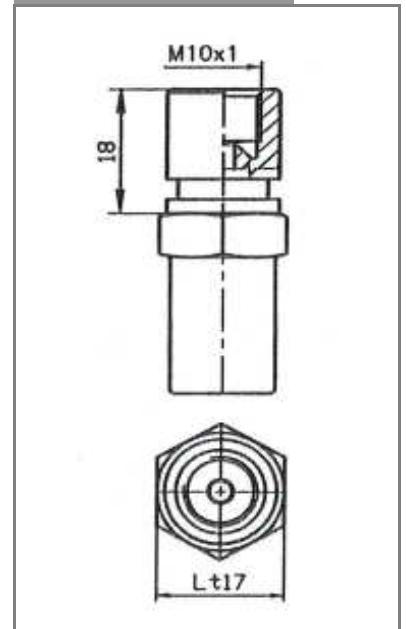
CP02FF25



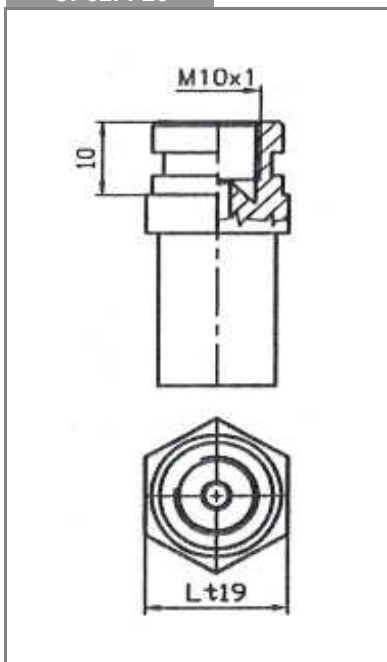
CP02FF09



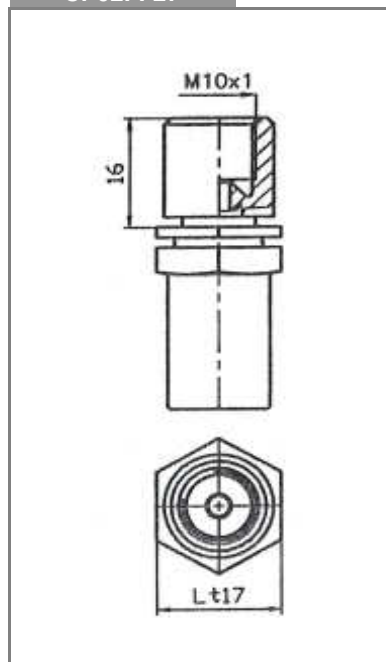
CP02FF14



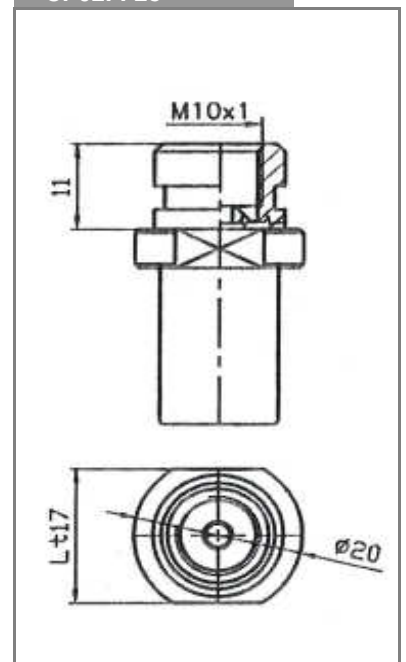
CP02FF26



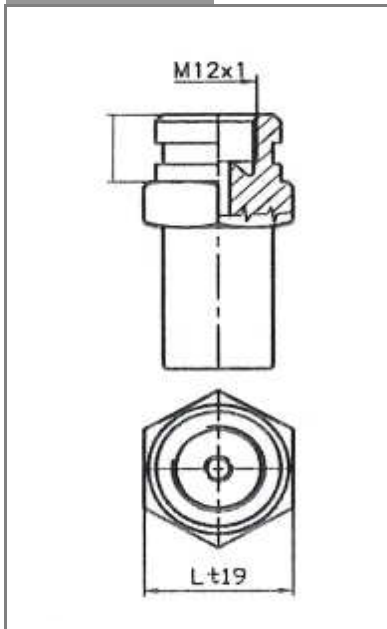
CP02FF27



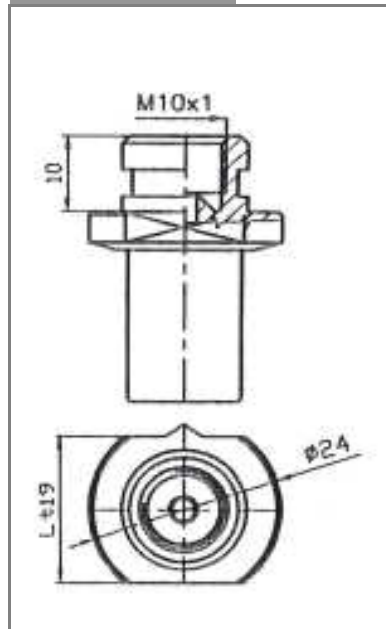
CP02FF28



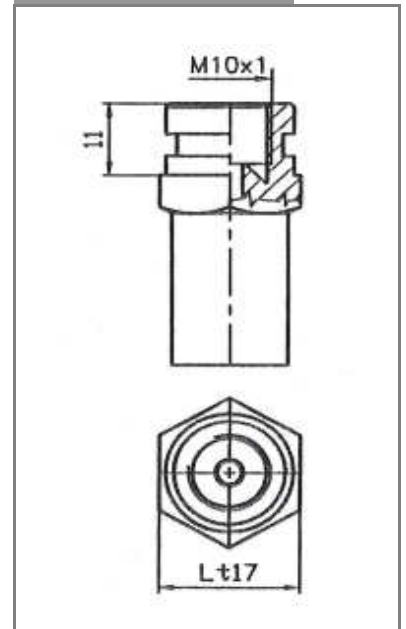
CP02FF07



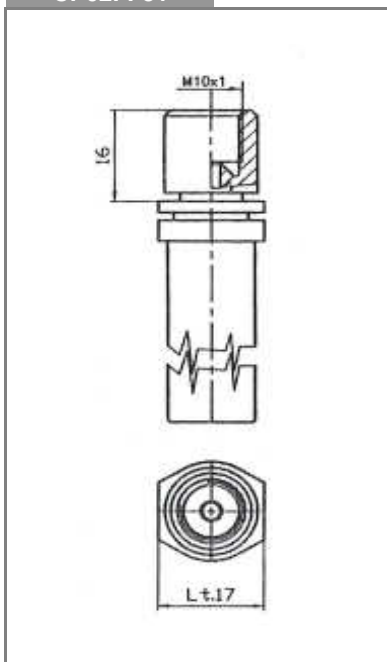
CP02FF29



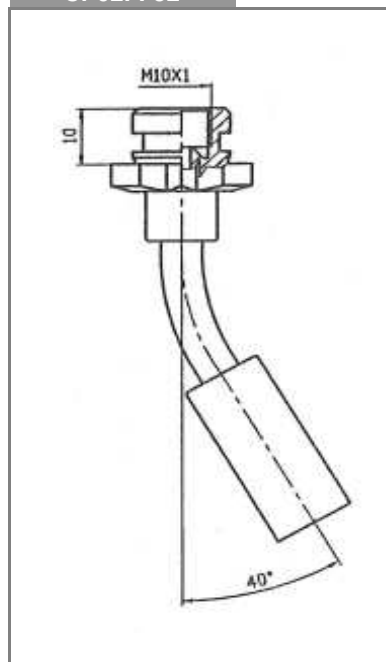
CP02FF30



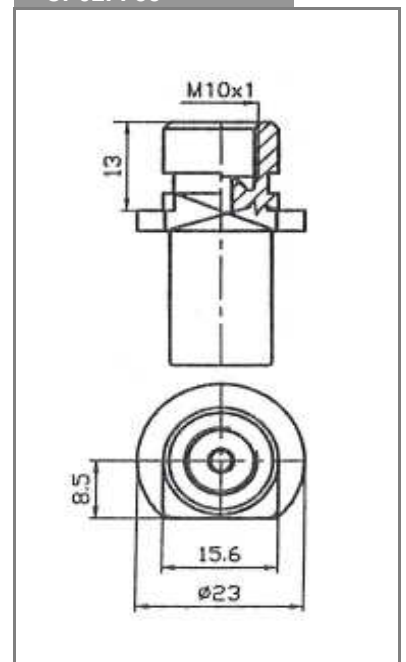
CP02FF31



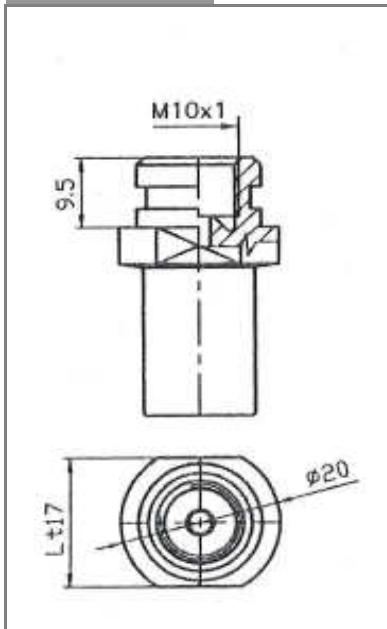
CP02FF32



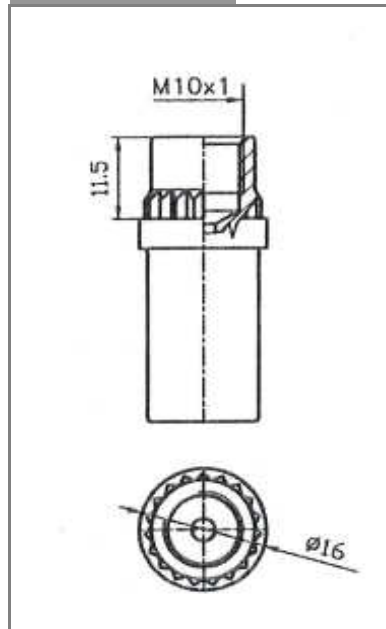
CP02FF33



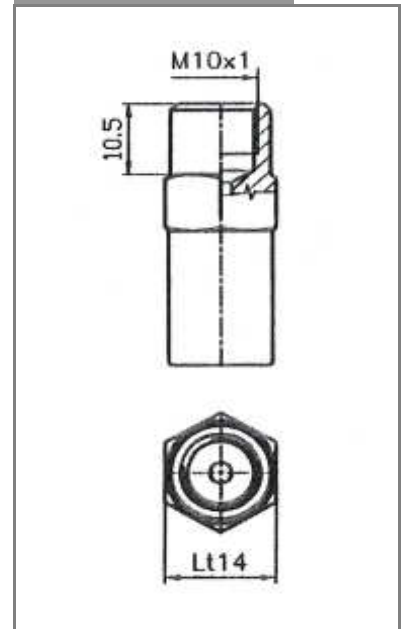
CP02FF20



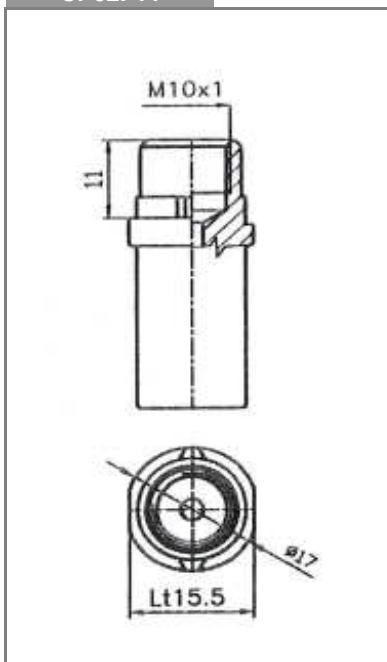
CP02F10



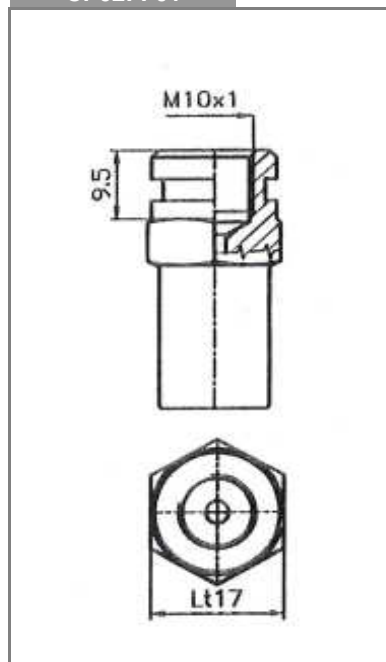
CP02F01



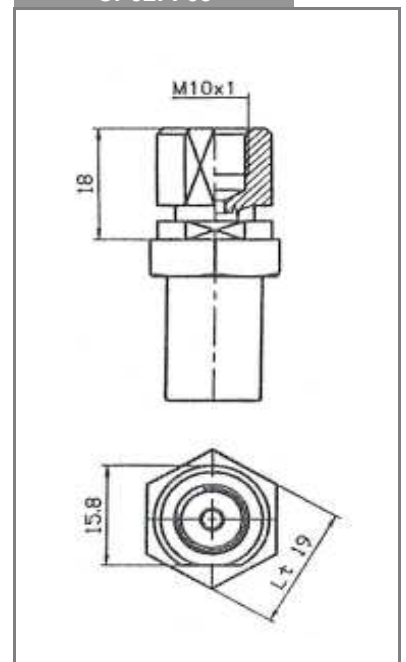
CP02F11



CP02FF01

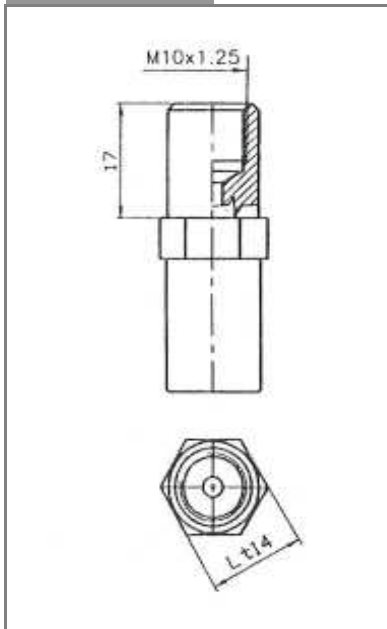


CP02FF03

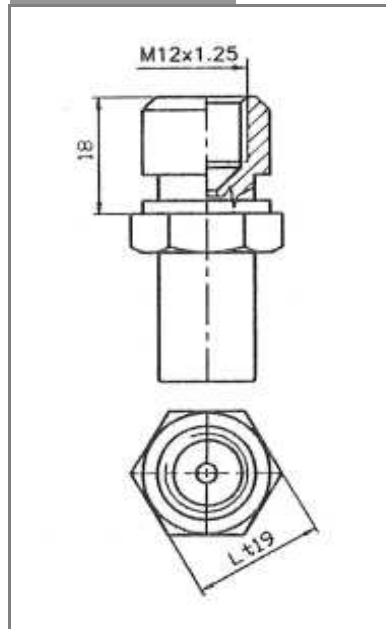




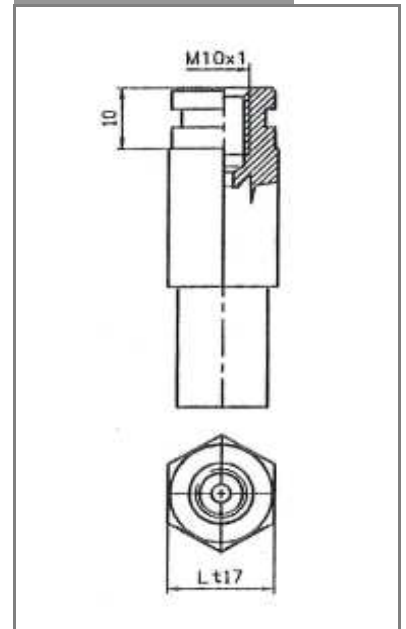
CP02F12



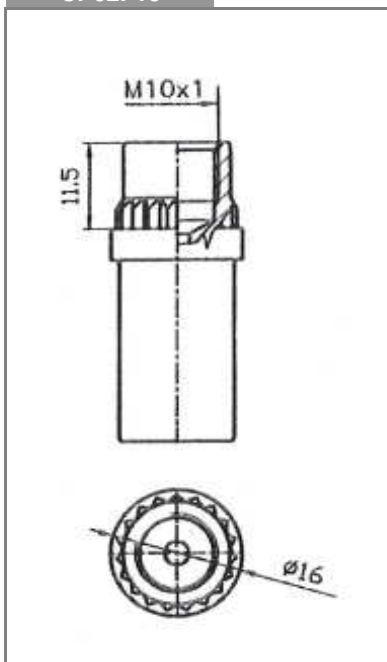
CP02F08



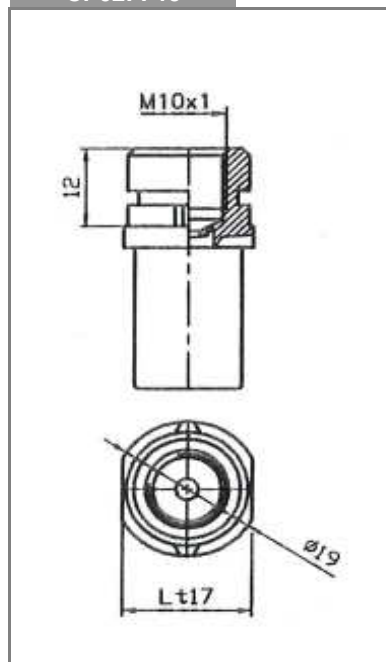
CP02FF05



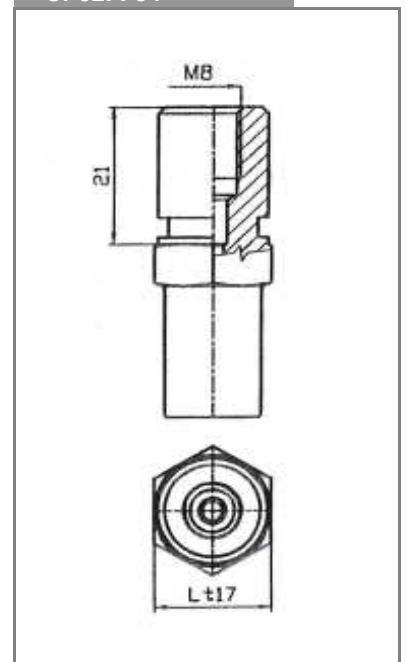
CP02F13



CP02FF19

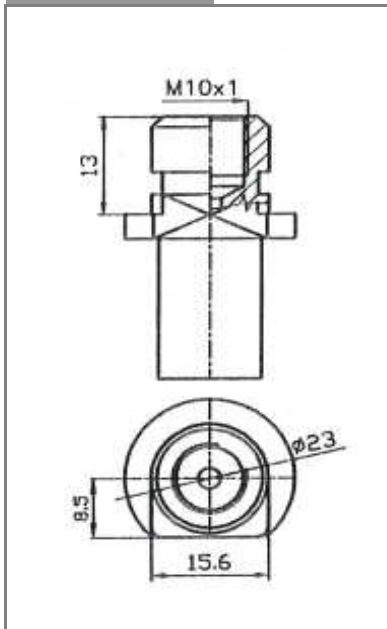


CP02FF34

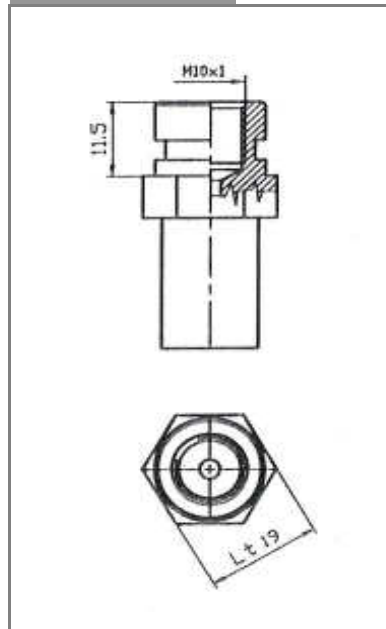




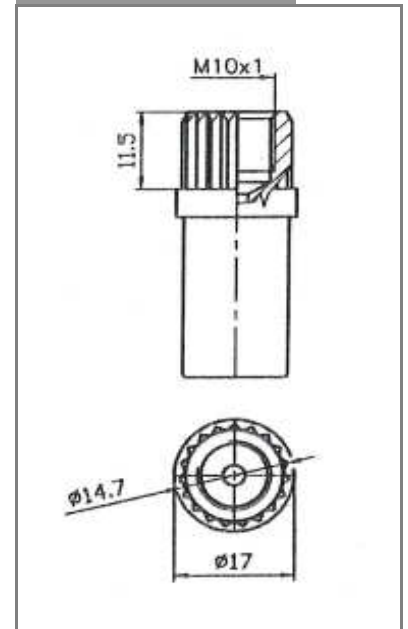
CP02FF35



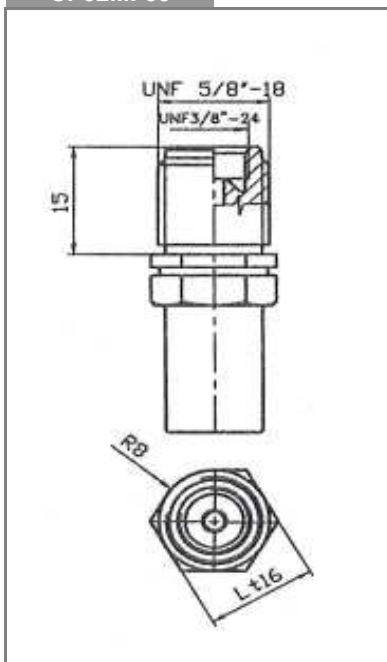
CP02FF36



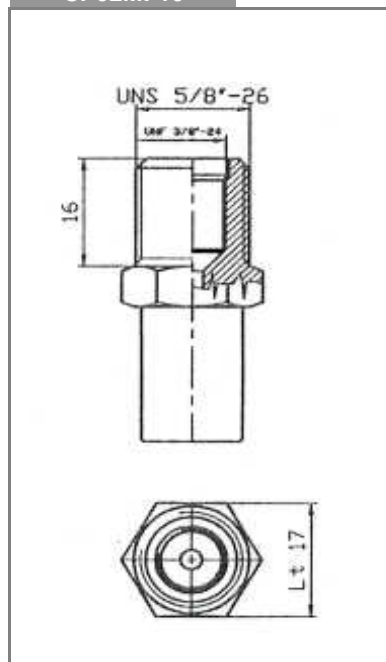
CP02F14



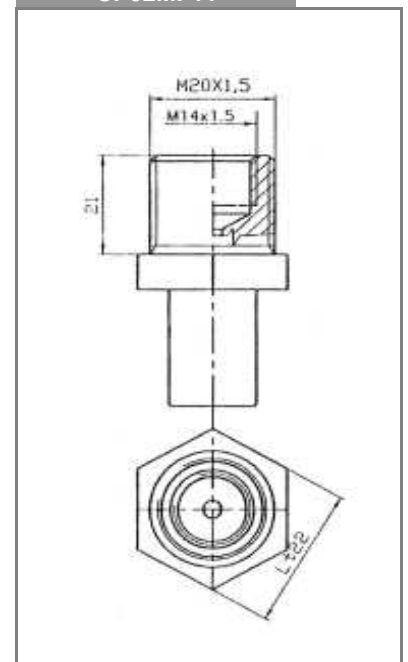
CP02MF09



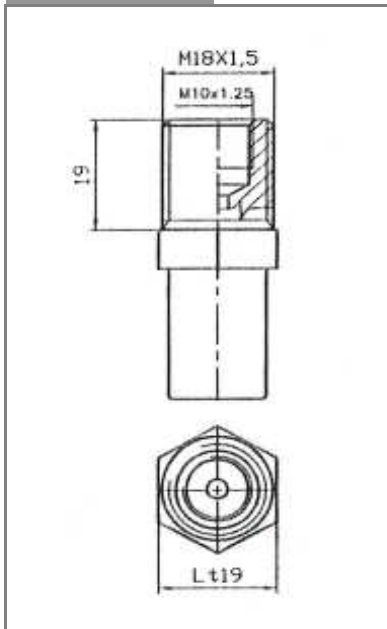
CP02MF10



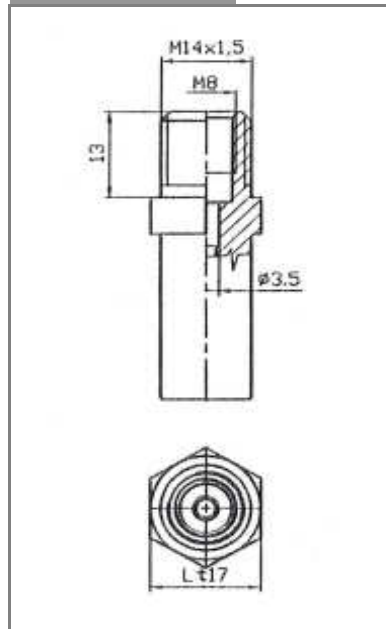
CP02MF11



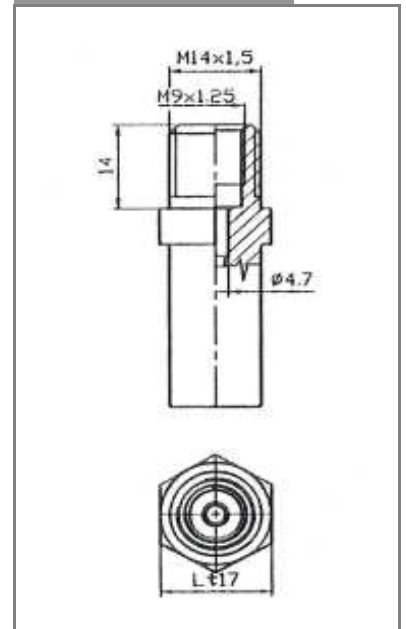
CP02MF12



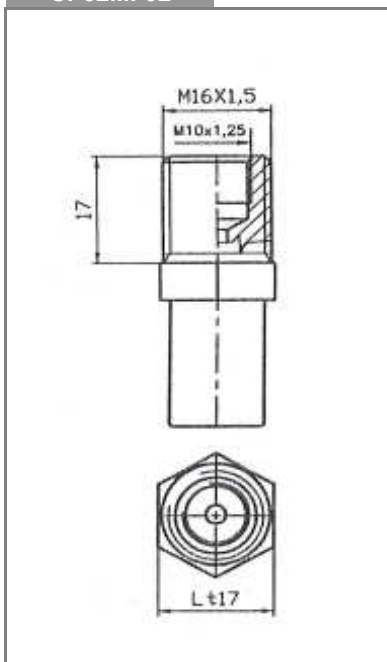
CP02MF13



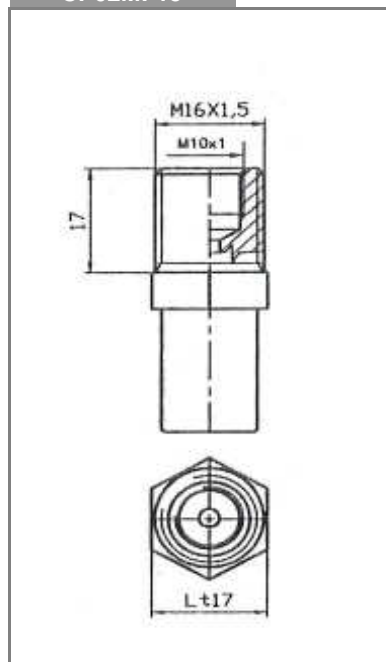
CP02MF14



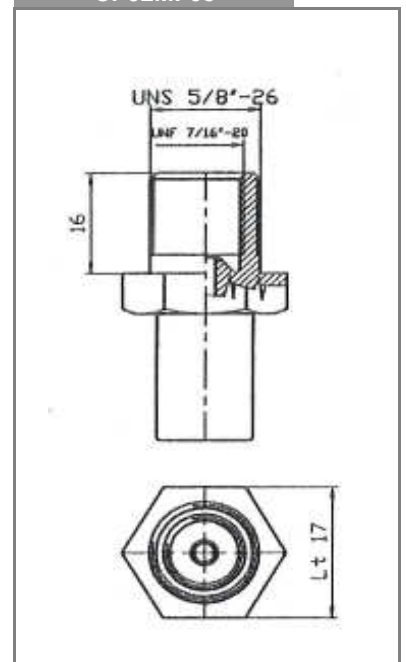
CP02MF02



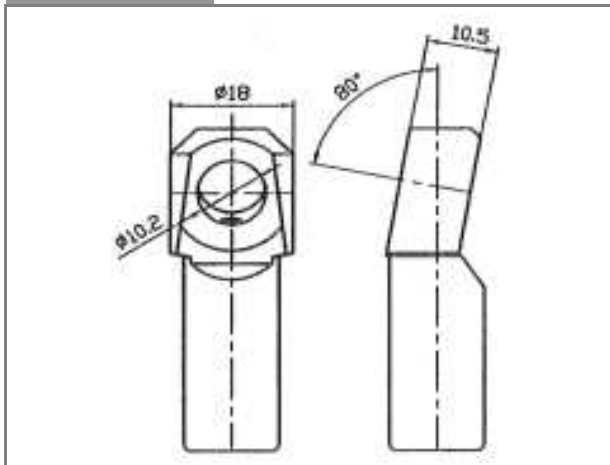
CP02MF15



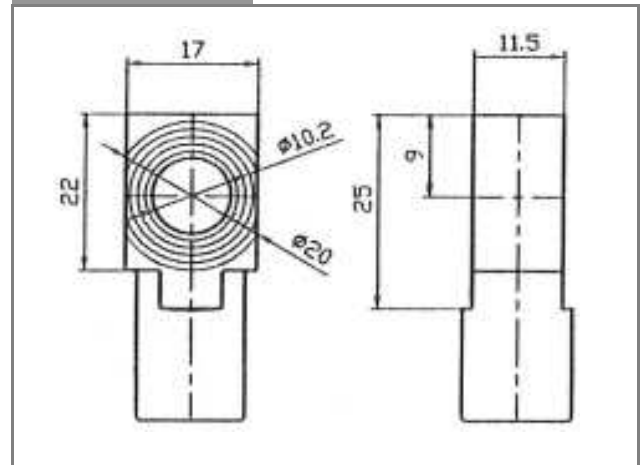
CP02MF08



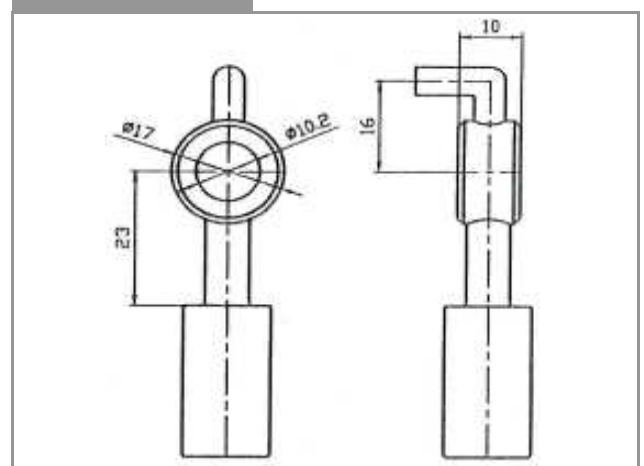
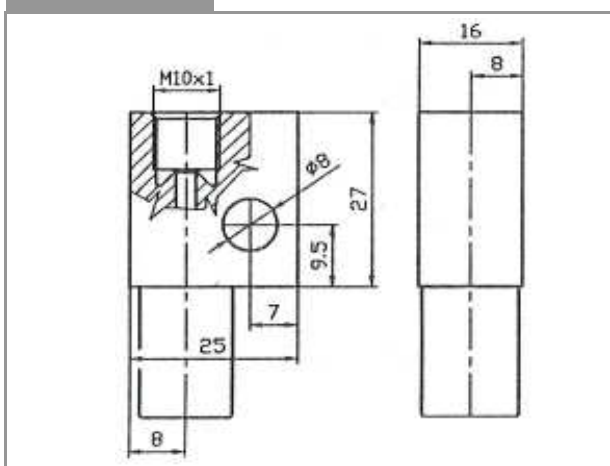
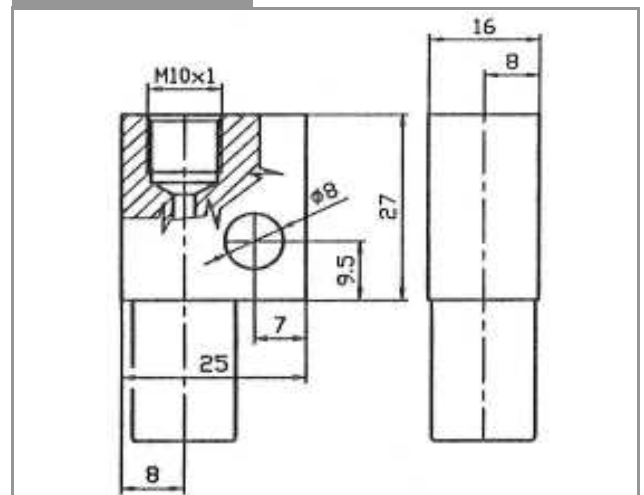
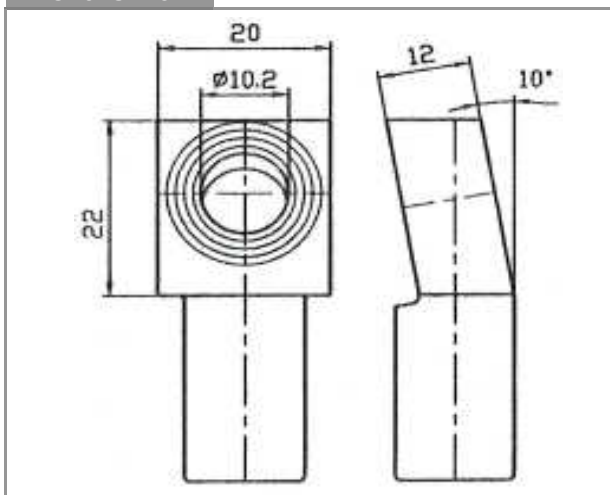
CP02OH17



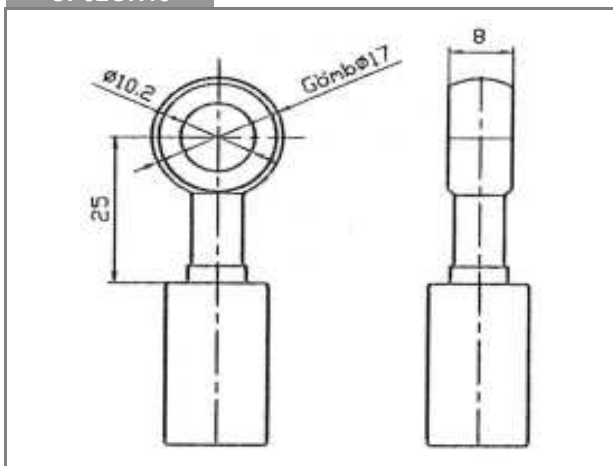
CP02OH18



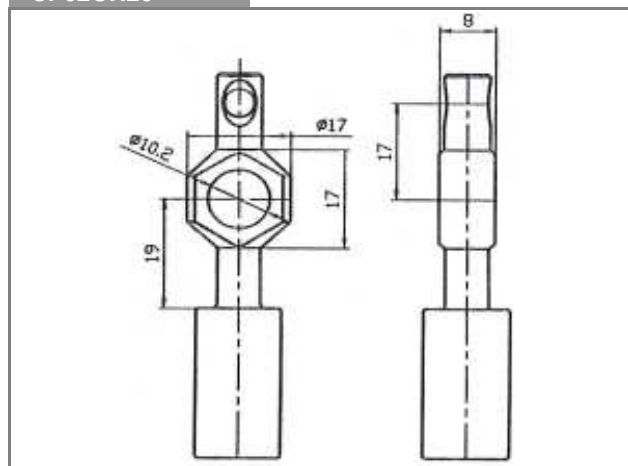
CP02OH19



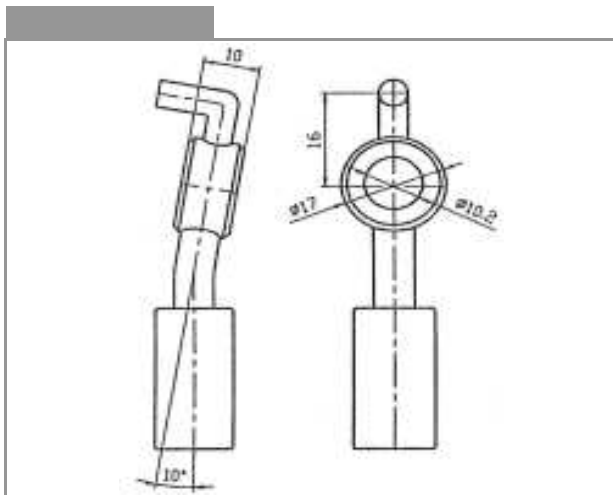
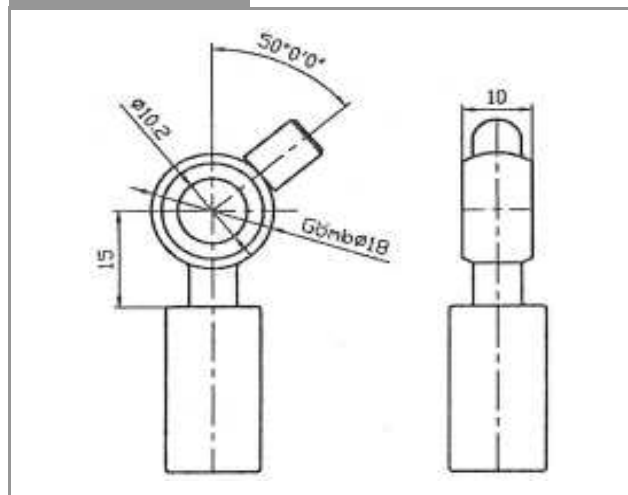
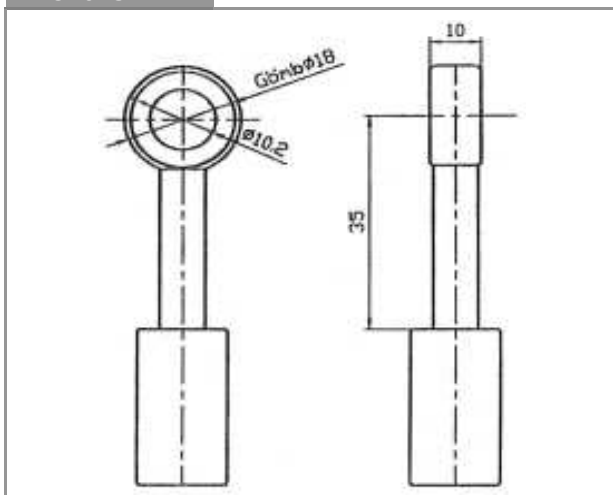
CP02OH19



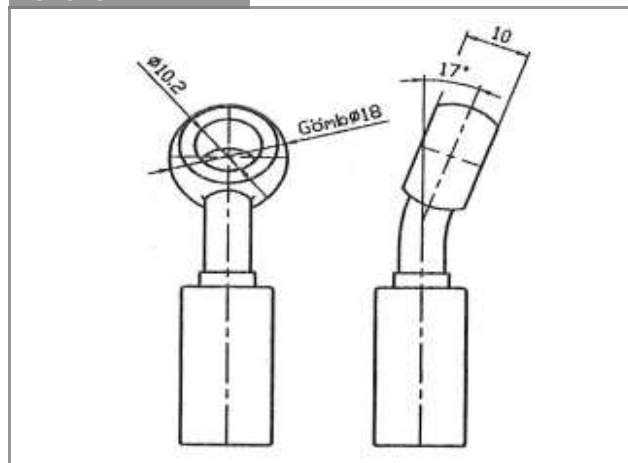
CP02OH20



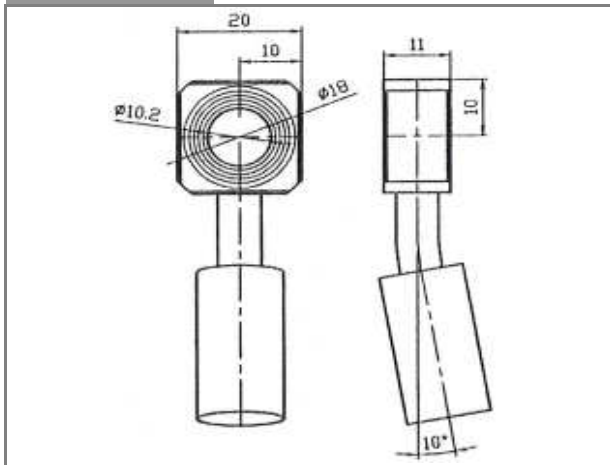
CP02OH21



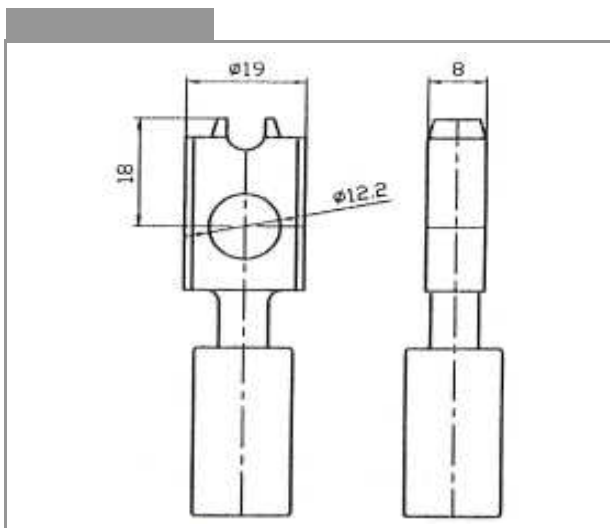
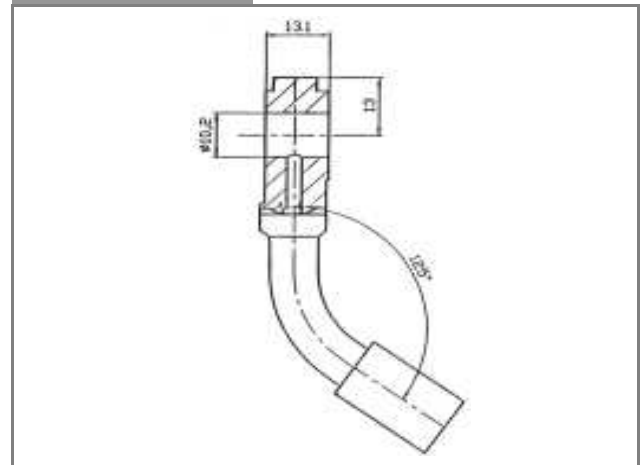
CP02OH22



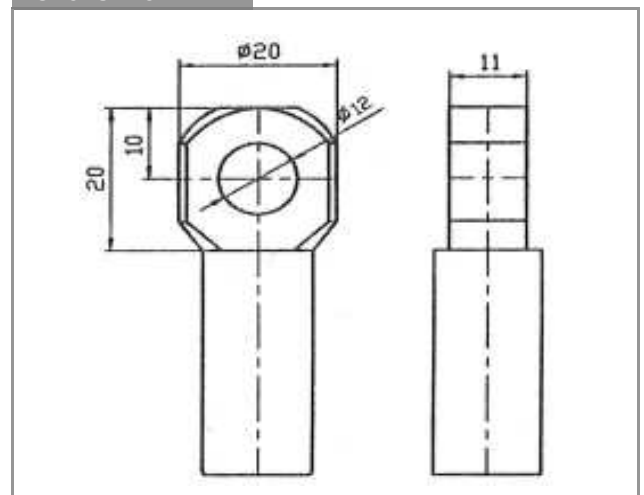
CP02OH23



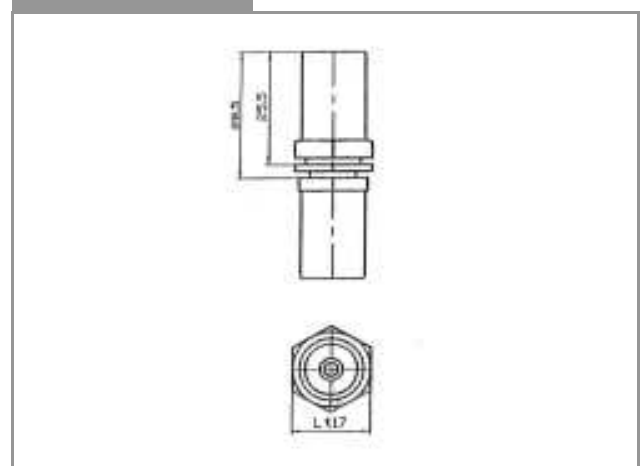
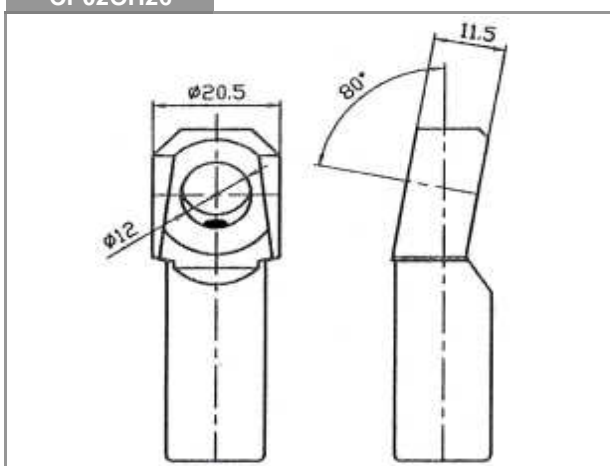
CP02OH24



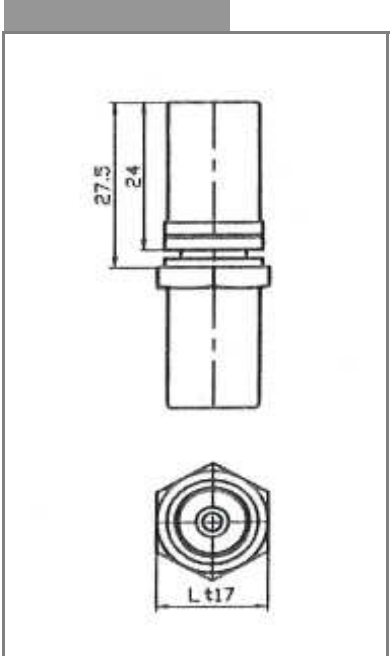
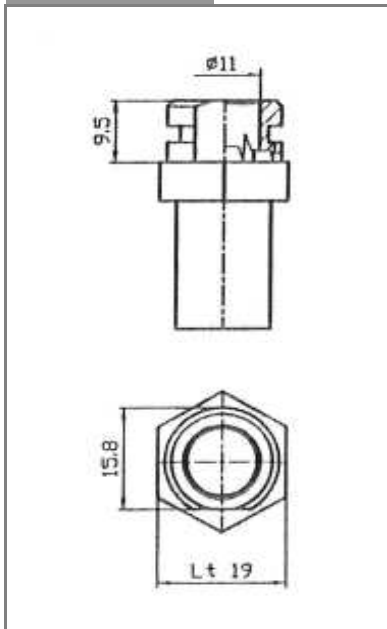
CP02OH25



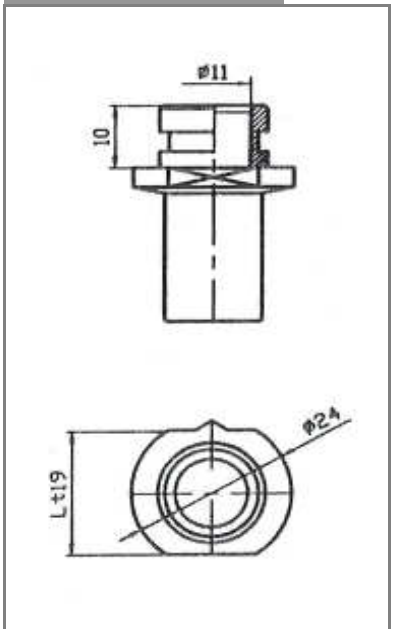
CP02OH26



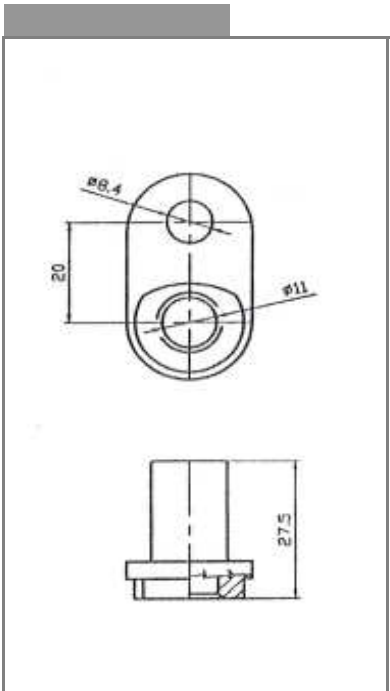
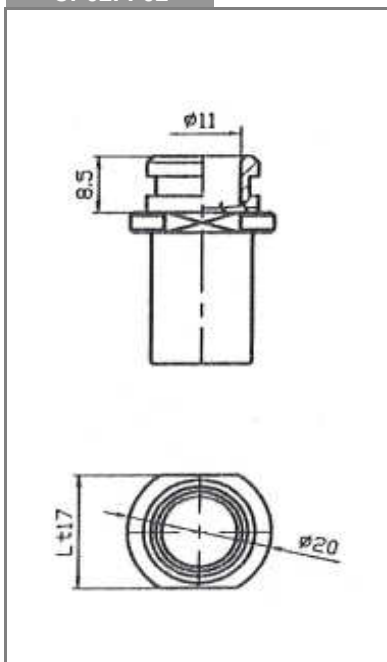
CP02MF12



CP02MF16



CP02FF02



CP02FF08

